



Mains LED Floodlight

White-Light



PRODUCT CODES

VCS-50	Mains Floodlight 50W
VCS-100	Mains Floodlight 100W
VCS-200	Mains Floodlight 200W

SPECIFICATIONS

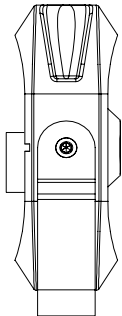
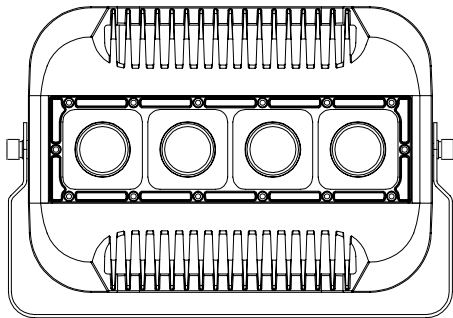
	50W Floodlight	100W Floodlight	200W Floodlight
INPUT VOLTAGE	AC100-240V 50 / 60Hz	AC100-240V 50 / 60Hz	AC100-240V 50 / 60Hz
POWER	50 Watts	100 Watts	200 Watts
POWER FACTOR	0.95	0.95	0.95
LEDs	High quality Osram LEDs	High quality Osram LEDs	High quality Osram LEDs
BEAM ANGLE	60°	60°	60°
LUMINOUS FLUX	≈7,500lm, Cool white 6000K	≈15,000lm, Cool white 6000K	≈30,000lm, Cool white 6000K
COLOUR RENDERING INDEX	Ra = 90	Ra = 90	Ra = 90
EXPECTED LIFETIME	50000Hr+	50000Hr+	50000Hr+
PRESSURE VENT	Yes	Yes	Yes
HOUSING	High thermal conductivity aluminium and Polycarbonate encapsulated lens module	High thermal conductivity aluminium and Polycarbonate encapsulated lens module	High thermal conductivity aluminium and Polycarbonate encapsulated lens module
DIMENSIONS	203 x 292 x 62mm	277 x 292 x 62mm	428 x 292 x 62mm
WATERPROOF RATING	IP65	IP65	IP65
IMPACT RATING	IK09	IK09	IK09
AMBIENT TEMPERATURE	-25 °C to +50 °C	-25 °C to +50 °C	-25 °C to +50 °C
WARRANTY	3yrs	3yrs	3yrs

MAINS FLOODLIGHT

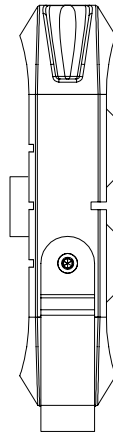
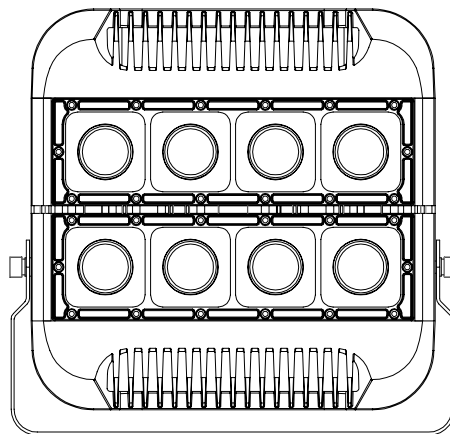
CERTIFICATIONS

CERTIFICATIONS	
WEEE	Waste electrical & electronic equipment European directive 202/96/EC
RoHS	Restriction of hazardous substance European directive 202/95/EC
CE EMC	BS EN IEC 55015:2019+A11:202 BS EN IEC 61000-3-2:2019+A1:2021 BS EN 61000-3-3:2013+A1:2019 BS EN 61547:2009
CE Safety	BS EN 60598-1:2021+A11:2022
CE Environmental	IEC/EN 60529 IP66 IEC/EN 62262 IK09

50W



100W



200W

