



Small PoE

White-Light LED Illuminator

The GJD range of high performance White-Light LED illuminators are designed to provide class leading performance, long life and ultra low maintenance.

Incorporating the latest surface mount LED's with enhanced optical output and outstanding reliability, they deliver excellent night-time images.

Each unit is fitted with integrated control circuitry to carefully control LED output, delivering consistent illumination and projected working life in excess of 10 years.

GJD illuminators include a new interchangeable lens diffuser system; which allows the user to quickly and easily alter the angle of illumination. Elliptical beam profiles allow more light to be delivered where it is needed, allowing both longer distances and minimising light wastage. The system also helps to prevent overexposure of foreground objects.

As standard the illuminator includes interchangeable lensing to deliver 10° circular, 30°, 60°, and 95° elliptical beam profiles.

FEATURES

WL Illuminator designed to provide dedicated lighting for IP cameras via PoE (power over ethernet)

IEEE802af compliant

Latest SMT LED technology

Elliptical beam profiles

Distances up to 68m (223')

Angle 10°, 30°, 60° & 95°

5 year warranty

IP66 weather proof rating

Built-in photocell WL on/off

Photocell following contact

Telemetry input for remote switching

CleanLITE® self cleaning lens coating technology

Pressure equalisation vent

High quality anodised aluminium heatsink

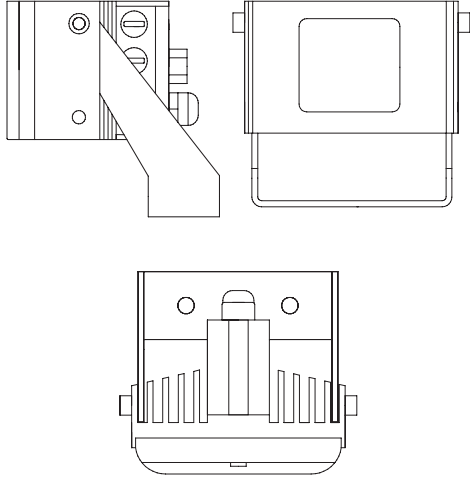
PRODUCT CODES

VS-CW-P

Small PoE White-Light Illuminator



SPECIFICATIONS



PRODUCT CODE	ANGLE	DISTANCE		FOV	
VS-CW-P	10° - Circular	68m	223'	12m	39'
	30° - Elliptical	40m	130'	21m	70'
	60° - Elliptical	28m	93'	33m	107'
	95° - Elliptical	17m	56'	37m	122'

- General Electronics**
High efficiency surface mount high power LED's with advanced current limited integral control circuitry
- Construction**
Robust high quality aluminium extrusion
- Front Window**
Polycarbonate high transmission protective (vandal proof) ir filter with CleanLITE® technology
- Finish**
Black anodised
- Power Cable**
3m including RJ45 connector
- Interface Connector**
Photocell Following Contact & Remote Telemetry Input
- Pressure Equalisation Vent**
Prevents thermal expansion & pressure cycling

- Photocell**
Adjustable 20 -70 Lux
- Illumination**
Adjustable 10% - 100%
- Operating Temperature**
-50° to 50°C (-58° to 122°F)
- Weight**
750g (1.6lbs)
- Mount**
Powder coated stainless steel wall mount
- Dimensions**
68 x 110 x 78mm (2.68" x 4.33" x 3.07")

- Electrical**
Power Over Ethernet
IEEE802.3af Compliant
- Consumption**
12W
- Lighting Output**
Lumen Output
928lm
- Wavelength**
Visible spectrum (400-750nm)
- Colour Temp**
6500k
- Colour Rendering Index**
74-80+

CERTIFICATIONS	
WEEE	Waste electrical & electronic equipment european directive 202/96/EC
RoHS	Restriction of hazardous substance european directive 202/95/EC
CE-EMC	EN61000, FCC Part 15. 107 15. 108 Class B
SAFETY	EN60598:2004 Electrical Safety EN60825-1 Laser Eye Safety
IP	IP66 In Accordance With EN60529;1992