

Small IR LED Illuminator

The Clarius[®] Plus range of high performance Infra-Red LED illuminators are designed to provide class leading performance, long life and ultra low maintenance.

Incorporating the latest surface mount Dual Core[®] LED's with enhanced optical output and outstanding reliability, they deliver excellent night-time images.

Each unit is fitted with integrated control circuitry to carefully control LED output, delivering consistent illumination and projected working life in excess of 10 years.

The Clarius[®] Plus range of illuminators includes a new interchangeable lens diffuser system; which allows the user to quickly and easily alter the angle of illumination. Elliptical beam profiles allow more light to be delivered where it is needed, allowing both longer distances and minimising light wastage. The system also helps to prevent overexposure of foreground objects.

As standard the illuminator includes interchangeable lensing to deliver 10° circular, 30°, 60°, and 95° elliptical beam profiles.

Installation is quick and easy, requiring only 12-32V DC / 24V AC +/-10%.

PRODUCT CODES

IS-8 Small Clarius PLUS Infra-Red Illuminator 850nm

IS-9 Small Clarius PLUS Infra-Red Illuminator 940nm

Recommended PSU
ALT-30-24



Interchangeable Diffuser Lens

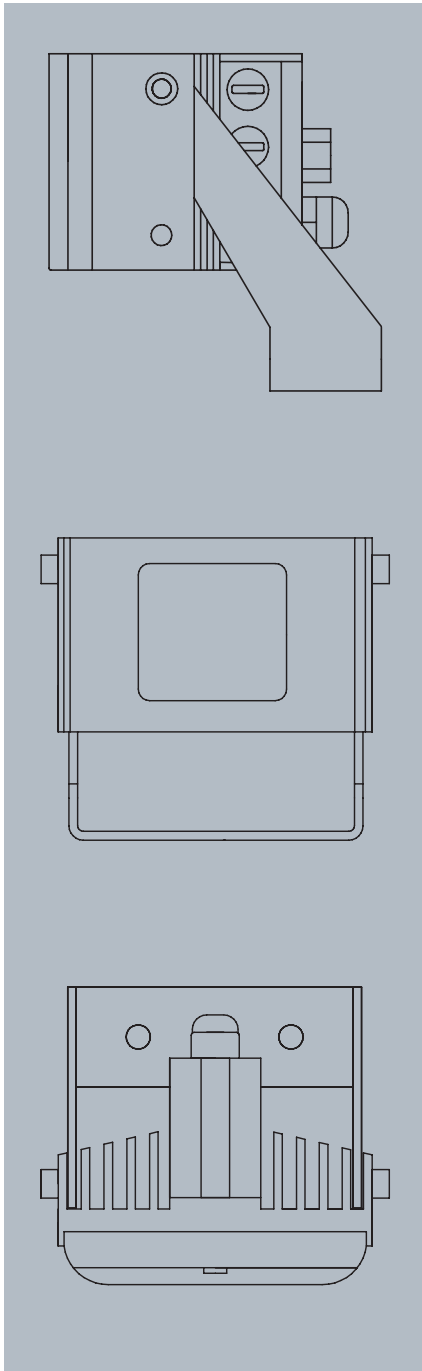


FEATURES

Latest Dual Core [®] SMT LED technology
Distances up to 132m (434')
Angle 10°, 30°, 60°, & 95°
Elliptical beam profiles
850nm or 940nm wavelengths
Low power consumption (15W)
Long life
5 year warranty
IP66 weather proof rating
Built-in photocell IR On/Off
Photocell following contact
Telemetry input for camera day/night remote switching
12-32V DC / 24V AC +/-10%
CleanLITE [®] Self cleaning lens coating technology
High quality anodised aluminium heatsink
Pressure equalisation vent

Product Code	Wavelength	Angle	Distance		FOV	
IS-8	850nm	10° - Circular	132m	434'	23m	76'
		30° - Elliptical	66m	217'	35m	116'
		60° - Elliptical	42m	138'	49m	159'
		95° - Elliptical	21m	69'	46m	151'
IS-9	940nm	10° - Circular	81m	266'	14m	47'
		30° - Elliptical	39m	128'	21m	69'
		60° - Elliptical	24m	79'	28m	91'
		95° - Elliptical	12m	39'	26m	86'

Other angles available on request.



GENERAL

ELECTRONICS	High efficiency surface mount high power dual core [®] with advanced current limited integral control circuitry
CONSTRUCTION	Robust high quality aluminium extrusion
FRONT WINDOW	Polycarbonate high transmission protective (vandal proof) ir filter with CleanLITE [®] technology
FINISH	Black anodised
POWER CABLE	3m (9ft) including photocell following contact & remote telemetry input
PRESSURE EQUALISATION VENT	Prevents thermal expansion & pressure cycling
PHOTOCELL	Adjustable 20 -70 Lux
ILLUMINATION	Adjustable 10% - 100%
OPERATING TEMPERATURE	-50° to 50°C (-58° to 122°F)
WEIGHT	750g (1.6lbs)
MOUNT	Powder coated stainless steel wall mount
DIMENSIONS	68 x 110 x 78mm (2.68" x 4.33" x 3.07")

ELECTRICAL

INPUT VOLTAGE	12-32V DC or 24V AC +/-10%
INPUT CURRENT	0.6A at 24V AC
CONSUMPTION	15W

WAVELENGTH

STANDARD	850nm (Semi Covert). Faint red glow only
OPTIONAL	940nm (Covert). Minimal visible glow

CERTIFICATIONS

WEEE	Waste electrical & electronic equipment european directive 202/96/EC	
RoHS	Restriction of hazardous substance european directive 202/95/EC	
CE-EMC	EN 61547 EN 55015 EN 62493 EN 50130-4	(Lighting-Immunity) (Lighting-Emission) (Lighting-EMF) (Alarm-EMC)
CE-LVD	EN 60598-1 EN 60598-2-1 EN 62368-1 / EN 60950-22	(Luminaires-General) (Luminaires)
SAFETY	EN 62471	(LED safety)
ENVIRONMENTAL	IEC/EN 60529 IEC/EN 62262 EN 50130-5 N2580, EN 50581	IP66 IK09 (Alarm-environmental) (RoHS), REACH
USA	cULus FCC	UL 2108 UL 8750 Class B
AUS	RCM (AS/NZS CISPR 22 Class B)	