

# Pearl Swivel Bracket

GJD149



## PACKAGE CONTENTS

- 2 x wall mount plugs
- 2 x wall mount screws
- 1 x swivel body
- 1 x swivel plate
- 4 x plastic fixing screws

## INTRODUCTION

This product is an accessory for the GJD140 curtain detector.

The swivel bracket allows the GJD140 to be fixed at a custom angle allowing greater choice of install and coverage options. Fixed flat to a wall the detector can pan +/- 45° and tilt upward 15° and downward 45°.

## MOUNTING THE UNIT

1. Use drilling template to locate the two mounting holes. Ensure the rear tamper will be mounted flat.
2. Cut out the side or bottom knock outs for cable access if needed. Next feed the cable and rear tamper wire through the swivel bracket.
3. Secure the bracket to the wall using provided wall screws (**A** figure 1). Next fix together using four provided fixing screws (**B** figure 1). Tighten the bracket (**C** figure 1) then fit and wire the detector section.

## SWIVEL BRACKET ADJUSTMENT

1. Use provided M2.5 hex key to tighten the swivel mount bracket (**C** figure 1).

## DETECTOR PLACEMENT AND BEAM PATTERNS

Using the swivel bracket the mounting height can be increased above 2.5m\* without compromising detection below. This is achieved by angling the detector downwards.

\* using the 2 higher range settings

See figure 4 for TEOL four core wiring.

\*R1 wired in parallel with Alarm

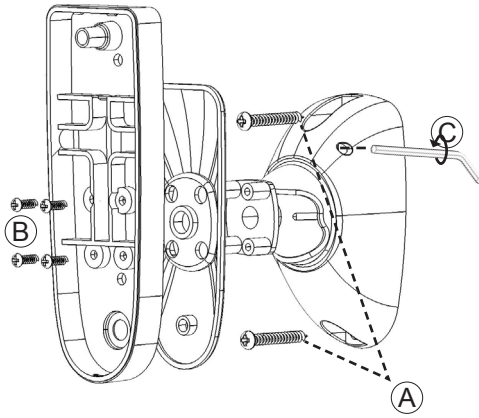
\*R3 wired in parallel with Masking

\*R2 providing series resistance

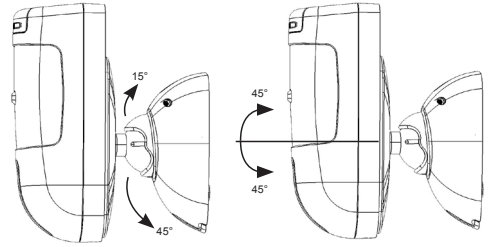
## SPECIFICATIONS

<b>Part Number</b>	GJD149 Accessory for GJD140
<b>Normally Closed Tamper</b>	with ~1Ω impedance max 50mA
<b>Dimensions</b>	54 x 41 x 90
<b>Boxed</b>	64 x 44 x 95
<b>Weight</b>	36g
<b>Packed weight</b>	91g
<b>Mounting Height</b>	2m+
<b>Certifications</b>	The certifications section contains three certification logos: the CE mark, the UKCA mark, and the CA mark.

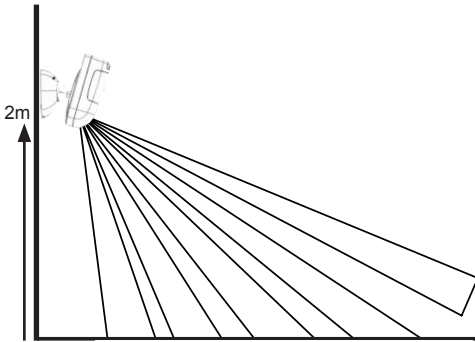
1



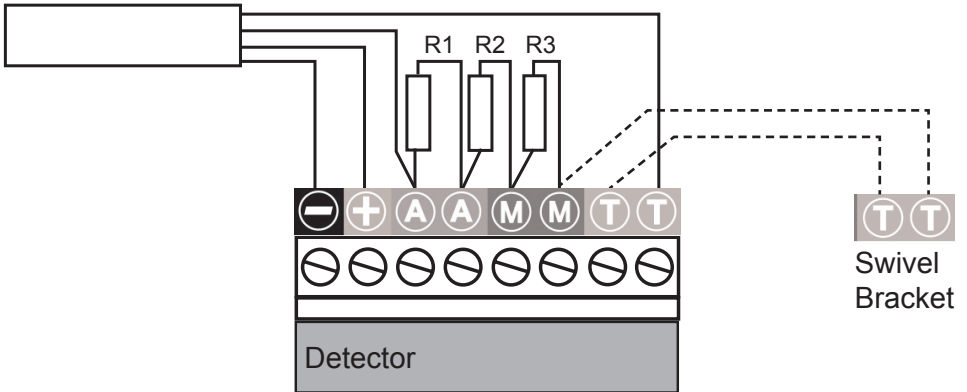
2



3



4



# ENGINEER NOTES

**w:** [www.gjd.co.uk](http://www.gjd.co.uk)   ■   **t:** +44 (0) 1706 363 998   ■   **f:** +44 (0) 1706 363 991

Unit 2, Birch Business Park, Whittle Lane, Heywood, Greater Manchester, OL10 2SX, UK