



Medium Infra-Red LED Illuminator

The GJD range of high performance Infra-Red LED illuminators are designed to provide class leading performance, long life and ultra low maintenance.

Incorporating the latest surface mount Dual Core® LED's with enhanced optical output and outstanding reliability, they deliver excellent night-time images.

Each unit is fitted with integrated control circuitry to carefully control LED output, delivering consistent illumination and projected working life in excess of 10 years.

GJD illuminators include a new interchangeable lens diffuser system; which allows the user to quickly and easily alter the angle of illumination. Elliptical beam profiles allow more light to be delivered where it is needed, allowing both longer distances and minimising light wastage. The system also helps to prevent overexposure of foreground objects.

As standard the illuminator includes interchangeable lensing to deliver 10° circular, 30°, 60°, and 95° elliptical beam profiles.

FEATURES

- Latest Dual Core® SMT LED technology
- Built-in photocell IR On/Off
- Distances up to 187m (614')
- Photocell following contact
- Angle 10°, 30°, 60°, & 95°
- Telemetry input for camera day/night remote switching
- Elliptical beam profiles
- 12-32V DC / 24V AC +/-10%
- 850nm or 940nm wavelengths
- CleanLITE® Self cleaning lens coating technology
- Low power consumption (26W)
- High quality anodised aluminium heatsink
- Long life
- Pressure equalisation vent
- 5 year warranty
- IP66 weather proof rating

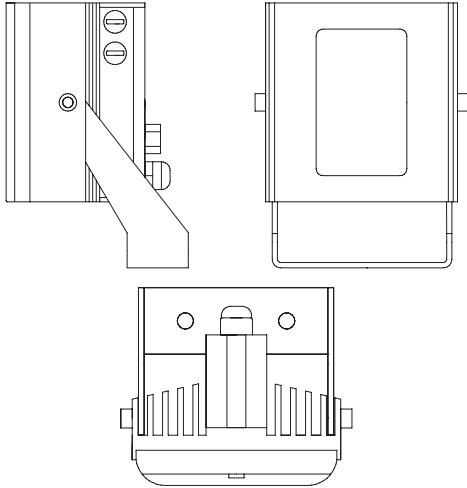
PRODUCT CODES

IM-8	Medium Infra-Red Illuminator 850nm
IM-9	Medium Infra-Red Illuminator 940nm

RECOMMENDED PSU

ALT-30-24	30W Power Supply
-----------	------------------

SPECIFICATIONS



PRODUCT CODE	WAVELENGTH	ANGLE	DISTANCE		FOV	
			m	ft	m	ft
IM-8	850nm	10° - Circular	187m	614'	33m	107'
		30° - Elliptical	94m	307'	50m	164'
		60° - Elliptical	60m	195'	69m	225'
		95° - Elliptical	30m	98'	65m	213'
IM-9	940nm	10° - Circular	115m	376'	20m	66'
		30° - Elliptical	65m	213'	35m	114'
		60° - Elliptical	40m	131'	46m	152'
		95° - Elliptical	20m	66'	44m	143'

General Electronics
High efficiency surface mount high power LED's with advanced current limited integral control circuitry

Construction
Robust high quality aluminium extrusion

Front Window
Polycarbonate high transmission protective (vandal proof) ir filter with CleanLITE® technology

Finish
Black anodised

IR Wavelength
850nm (Semi covert). Faint red glow only
940nm (Covert). Minimal visible glow

Power Cable
3m (9ft) including photocell following contact & remote telemetry input

Interface Connector
Photocell Following Contact & Remote Telemetry Input

Pressure Equalisation Vent
Prevents thermal expansion & pressure cycling

Photocell
Adjustable 20 -70 Lux

Illumination
Adjustable 10% - 100%

Operating Temperature
-50° to 50°C (-58° to 122°F)

Weight
1.05Kg (2.3lbs)

Mount
Powder coated stainless steel wall mount

Dimensions
114 x 110 x 78mm (4.49" x 4.33" x 3.07")

Electrical
Input Voltage
12-32V DC or 24V AC +/-10%

Input Current
1.2A at 24V AC

Consumption
26W

Wavelength Standard
850nm (Semi Covert). Faint Red Glow Only

Optional
940nm (Covert). Minimal Visible Glow

CERTIFICATIONS	
WEEE	Waste electrical & electronic equipment european directive 202/96/EC
RoHS	Restriction of hazardous substance european directive 202/95/EC
CE-EMC	EN 61547 (Lighting-Immunity) EN 55015 (Lighting-Emission) EN 62493 (Lighting-EMF) EN 50130-4 (Alarm-EMC)
CE-LVD	EN 60598-1 (Luminaires-General) EN 60598-2-1 (Luminaires) EN 62368-1 / EN 60950-22

SAFETY	EN 62471 (LED safety)	
ENVIRONMENTAL	IEC/EN 60529 IEC/EN 62262 EN 50130-5 (Alarm-environmental) N2580, EN 50581 (RoHS), REACH	IP66 IK09
USA	cULus FCC	UL 2108 UL 8750 Class B
AUS	RCM (AS/NZS CISPR 22 Class B)	