

PLEASE READ THESE INSTRUCTIONS CAREFULLY BEFORE YOU START THE INSTALLATION

THIS EQUIPMENT WILL NOT WORK ON THE  NETWORK

FEATURES

- LCD display showing text in any of 8 different languages
- 6 Trigger inputs
- 4 Outputs
- 9 programmable phone numbers for each trigger
- Different 10 second recordable message or 32 digit SMS sent for each trigger
- Message or SMS can be sent to some or all phone numbers
- Built in memory for telephone numbers and programmed settings
- Inputs can be programmed as instant or “double knock”
- Programmable dial-out delay on trigger activation
- Outputs can be programmed as User Activated Only or User Activated Plus Trigger/Event Activated
- Outputs can be programmed as either toggle latching or momentary
- Users can activate outputs remotely via dial-in or locally via keypad
- Built in Siren
- Built in Microphone plus terminals for remote Microphone
- 4 Digit programmable password for programming and dial-in
- Built-in “Listen-in”. Open up either after voice message received or by dial-in
- Programmable as Silent Alarm (dial only) or Audible (Siren + dial-out)
- Cancel Message and Alarm at remote telephone using * Key or Cancel Message only using # Key
- Programmable daily, weekly or monthly test message (recorded or SMS)
- Network Provider Field Strength Indication
- Trigger input runaway prevention – Ability to limit number of dial-outs or SMS's to 50 in any 24-hour period
- Pay-As-You-Go SIM low credit indication
- Tamper Switch
- Battery back-up either from the Panel to which Communicator is connected or optional 9V PP3 battery
- Turn on/off Communicator via Keypad, text or dial-in plus password

KIT CONTENTS

- 1 x GJD720 GSM Communicator
- 1 x Fixing Kit
- 1 x Installation & Programming Guide

Current: (12V)
60-70mA STANDBY
100mA-250mA OPERATING
OPERATING TEMP -20°C TO +70°C

COMMUNICATOR FIT INSTALLATION INSTRUCTIONS

Tools Required

- Small cross-head screwdriver
- Large cross-head screwdriver
- No. 6 masonry drill bit
- Hammer drill
- Small hammer
- Pencil, ruler and spirit level

IMPORTANT: Before you install the Communicator please take into consideration:

1. Check for hidden wire and pipework before drilling holes
2. Keep the Communicator out of reach of small children

HOW TO INSTALL THE GSM COMMUNICATOR

1. Remove the screw from the SIM card cover on the rear of the unit and keep safe.
2. Slide back the SIM card holder and insert SIM card with the cut corner at the top – close SIM holder sliding it back into the lock position.
3. Replace SIM card cover and small cross-head screw.
4. Connect the 12V power supply to terminals (+12 and OV) and, if required, install a 9V back-up battery to the connector inside the battery compartment (if used with an alarm panel then the alarm panel's back-up battery would usually be the source for mains failure back-up).
5. The Communicator will automatically start to search for the SIM card GSM network. The words “GSM Start” will appear in the display and a counting sequence from 1 to 5. If the GSM network is found, the display will change to “On GSM Ready”. If the GSM network cannot be found the display will read “No Signal”. If this is the case, change the location of the Communicator or use an alternative network provider's SIM card. If there is a problem with the SIM card or it has not been installed correctly into the holder, the display will read “SIM Error”.

IMPORTANT: If the SIM card is PIN protected, the counting sequence will stop at 1 and the words “PIN” will appear in the display. You will need to enter the SIM cards PIN code at this point in order to proceed further.

6. Press 1 2 3 4 > ESC to turn the Communicator OFF (Communicator turns on automatically when power first connected - the Communicator must be OFF to enable any programming). The display will now read “Off GSM Ready”.
7. Mark and drill two holes on a horizontal line 160mm apart.
8. Insert the masonry plugs; screw the two fixing screws into the plugs leaving 2mm protruding.
9. Run cable from the Communicator to the Alarm Panel (or whatever panel/device you are connecting to). Note Figs 1 and 2 “Connections on the Communicator”. The number of cable strands will be determined by the number of triggers you require and whether you want the Communicator tamper switch to be active.
10. If required, connect the Communicator's two tamper terminals to the N.C. tamper inputs on the Alarm Panel. Activation of the Communicator's rear tamper switch will then cause the Panel to go into alarm. If you require a voice/text message on tamper activation, connect the Panel's tamper output to one of the Communicator's trigger inputs.

11. If required, run a cable from the Communicator's outputs to the devices you wish to activate.
12. If required, run cables from the panel's microphone terminals to a remote microphone for better "listen-in".
13. Place the Communicator onto the wall, making sure the tamper switch is pressed in.
14. Press 1 2 3 4 > ENTER to turn the Communicator on after programming has been completed.

HOW TO TEST THE COMMUNICATORS SIGNAL STRENGTH

While the Communicator is in the OFF mode (enter 4-digit code, default 1 2 3 4 + ESC Key), press ENTER to display the Network reception quality on the LCD display. A number between 0 and 7 will appear. The strongest reception quality is 7.

The Communicator should be installed in a location where the signal strength display shows 2 or above. Move the Communicator to a different location if the number is 1 or below. You can continue to check the Network reception strength at any time provided the Communicator is in the OFF mode.

CONNECTIONS ON THE COMMUNICATOR

The Trigger terminals are for connection to a switched negative output of an Alarm System's Bell or Siren (Fig 1). If such switched negative triggers are not available, connect the trigger inputs to a N.O. (normally open) relay output with the relay common to OV (Fig 2).

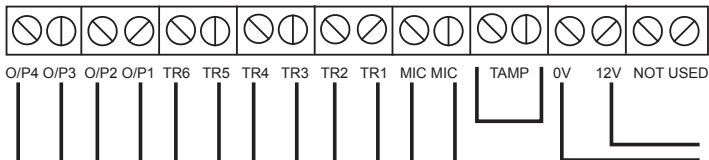
The output terminals are all switched negative (max 100mA). Connect the connected device's positive pin to the 12V terminal and the device's negative pin to the respective output terminal (O/P1, O/P2, O/P3 or O/P4).

The Power terminals are connected to a 12V power supply, either directly to an Alarm Control Panel's 12V supply or via a regulated 12V 500mA mains power adaptor.

The MIC terminals are for connection to an optional external microphone for improved "listen-in".

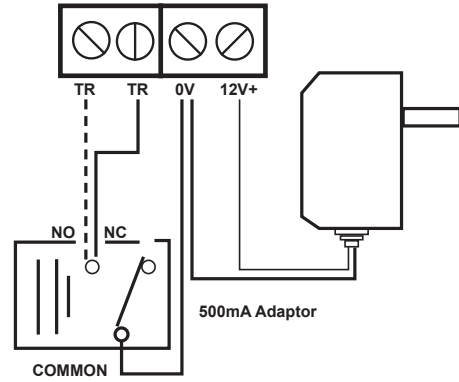
IMPORTANT: The Tamper terminals are for connection to the N.C. (Normally Closed) tamper inputs on an Alarm Control Panel. If connected, the Panel's Tamper Circuit will activate upon removal of the Communicator from a flat surface. If they are not being used, please fit a loop of cable as shown.

FIG 1 – TERMINAL CONNECTIONS



Trigger inputs are switched negative (-), they will not operate off a switched ground

FIG 2 – TERMINAL CONNECTIONS



You can also check signal strength by calling the Communicator and entering your 4-digit code + 7 once it has answered (default 12347). The Communicator will then send an SMS with current signal strength to Phone No 1 as programmed. Alternatively, send the Communicator an SMS of your 4-digit code plus "signal" – "1234signal (+ click return)"

Note that, whilst showing Signal Strength, the Display will also show the current Date and Time. If this is not being shown, you will need to send the Communicator an SMS from a mobile phone. Select "send new SMS" on your phone, enter the Communicator's SIM phone number and enter at least some text such as "Time Set" and press Send. The Communicator will now receive the current Date and Time from the Text Message.

IMPORTANT: Wait at least 60 seconds after sending this Time Set SMS before checking Date and Time. During this period, the Communicator's keypad is inactive.

PROGRAMMING SECTIONS AND DEFAULT SETTINGS

System must be in the OFF Mode for Programming. Since the Communicator will automatically turn ON when power is first connected/ re-connected, you need to turn it OFF (enter the default code 1234, then press ESC Key) before you can start programming. N.B. Only Programming Section 3, plus the Record, Play and Password Sections are essential to program. These are highlighted in **BOLD**. For most applications, other sections, including 6, can be left in their default settings.

IMPORTANT: You must fit a working SIM card, record at least One Voice Message and program at least One phone number into section 3 for the Communicator to work

SECTION	FEATURE	DEFAULT	PAGE
1	Select Audible or Silent Alarm on trigger	SILENT	5
2	Duration of Audible Alarm on trigger	3 MINUTES	5
3	Add/Delete Phone Numbers that are dialed/SMS's sent to on trigger	MEMORY EMPTY	4
4	Select a Delay between Trigger and Dial-out	INSTANT DIAL OUT	5
5	Select a Delay between the Communicator being turned Armed & becoming active	INSTANTLY ACTIVE	6
6	Assign the 9 dial-out Telephone Numbers to triggers 1, 2, 3, 4, 5 & 6	ALL ASSIGNED	4
7	Select an Audible Arm Delay sound	SILENT DELAY	6
8 (1)	Select whether each Output is momentary or Toggle Latching	ALL MOMENTARY	6
8 (2)	Select the time of the momentary Output	ALL ARE 5 SECS	6
8 (3)	Select whether an Output is Trigger/Event Activated as well as User Activated	USER ONLY	6
8 (4)	Select Audible or Silent Keypad Stroke	AUDIBLE	7
8 (5)	View the last 50 Events of Alarm History Time and Date Stamped	MEMORY EMPTY	7
9	Create or Delete an SMS to be sent instead of Voice messages	MEMORY EMPTY	5
0 (1)	Select whether a Voice message, SMS or both is sent on activation of each Trigger	VOICE ONLY	5
0 (2)	Regular Test message sent to avoid Pay-As-You-Go SIM card de-activation	NONE SENT	7
0 (3)	Show the SIM's IMEI Code		7
0 (4)	Select from one of 8 different languages	ENGLISH	7
0 (5)	Limit the number of SMS's or Voice calls made to 50 in any 24-hour period	NO LIMIT	7
0 (6)	Forward any incoming SMS to the Communicator to Tel Number 1 as programmed	FORWARDING ON	8
0 (7)	Select whether the Trigger Inputs are instant or double knock	ALL ARE INSTANT	8
0 (8)	Select whether an individual Trigger Input is Normally Open or Normally Closed	NORMALLY CLSD	8
0 (9)	Select whether an SMS is sent to Tel no 1 on input power failure	NO SMS SENT	8
REC	Record the nine different voice messages	RECORD	4
PLAY	Play back the nine voice messages	PLAY	4
PASS	Change the Default Password of 1234	PASSWORD	4
DEFLT	Return the Communicator to its Default Settings	DEFAULT	9

FAQ's

How do I test Signal Strength?	When the Communicator is in the OFF mode, press ENTER	2&10
What does the button on the back do?	It's a Tamper Switch. If not required fit a loop to the 2 tamper terminals	2
How do I check the credit on the SIM?	Program the Communicator to forward SMS's from the Network Provider - Section 0 (6)	8
How do I trigger the Communicator to test it is working?	Install SIM, power up, ensure that at least 1 Tel no is programmed into Sect 3 and a message recorded for Trig 1. Short between TR1 and 0V	2&4
How many times is each Tel No called?	Once. Programme in the same number multiple times if more required	2&4
Will it work on a 3G network?	No, if only 3G (no 2G) available, you must order and use our 3G version	9

PRIMARY PROGRAMMING

All Programming must be done when the Communicator is in the "OFF" position (1234 ESC).

HOW TO RECORD THE VOICE MESSAGES:

Quick guide: Press 1 2 3 4 > RECORD > 1 > ENTER, Record message now

(Note: 1 = message for Trigger 1; 2 = message for Trigger 2, etc; 0 = Test Message, if required.)

1. Key in the four-digit user PASSWORD code (factory default 1234).
2. Press RECORD.
3. Press 1 (to record as the message for Trigger 1) or 2 (to record as the message for Trigger 2, etc) or 0 (to record the Test Message). If a Test Message is required, it then needs to be programmed as active as a daily, weekly or monthly test call.
4. Press ENTER to start recording the message. You now have 10 seconds to record your message.
5. Press ENTER to stop the recording or wait for the 10 seconds to end.

HOW TO PLAY BACK THE VOICE MESSAGES:

Quick guide: Press 1 2 3 4 > PLAY > 1 > ENTER to play back the recorded messages

(Note: 1 = the first message; 2 = the second message; 0 = Test Message.)

HOW TO CHANGE THE USER PASSWORD (Factory Default 1234):

Quick guide: Press 1 2 3 4 > PASSWORD > New Code > ENTER

1. Key in the four-digit user <PASSWORD> code. Factory Default 1234.
2. Press PASSWORD.
3. The LCD will display "PASSWORD".
4. Key in your new four-digit code and press ENTER.
5. You have now changed to your new four-digit password.

HOW TO PROGRAM PHONE NUMBERS SECT 3:

You can enter a maximum of 9 Telephone Numbers for the Triggers – each number can be a maximum of 32 digits.

Quick guide: Press 1 2 3 4 > PROGRAM > 3 > ENTER > 1 > ENTER > Telephone Number > ENTER

1. Key in the four-digit user PASSWORD code (Factory Default 1234).
2. Press PROGRAM > 3 > ENTER > "X". The number "X" you press after the ENTER button will select the position in the sequence you want that telephone number to dial (1 = 1st number called; 2 = 2nd number called).
3. Key in the 1st telephone number.
4. Press ENTER to exit the programming mode.
5. Repeat the process until you have entered all the numbers you wish the Communicator to call once it has been triggered (maximum 9 different numbers). You can repeat the same number(s) if you wish.

HOW TO DELETE PHONE NUMBERS SECT 3:

Quick guide: Press 1 2 3 4 > PROGRAM > 3 > ENTER > 1 > ENTER > DELETE > ENTER

1. Key in the four-digit user Password code (Factory Default 1234).
2. Press PROGRAM > 3 > ENTER. Select the position for the telephone number you want to delete (1 = 1st number called; 2 = 2nd number called), Press DELETE. The LCD display will show "DELETE". Press ENTER to delete or ESC to keep the number and exit programming.

HOW TO DESIGNATE TELEPHONE NUMBERS TO TRIGs 1, 2, 3, 4, 5 and 6 + THE TEST CALL SECT 6:

(Factory Default – All numbers are called for each Trigger input and the Test Call.)

Only these Telephone Numbers selected will be called/SMS sent to on activation of the respective Trigger input.

Quick guide: Press 1 2 3 4 > PROGRAM > 6 > ENTER > X > ENTER > N > ENTER

1. Key in the four-digit user Password code (Factory Default 1234).
2. Press PROGRAM > 6 > ENTER
3. Press 1 (for TRIG 1), or Press 2 (for TRIG 2), etc. Press 0 for the Test Call. Press ENTER
4. You will see numbers 123456789 illuminated in the Display. This indicates that all 9 telephone numbers (or as many as have been programmed into the Communicator) will be called or sent an SMS on that Trigger.
5. Press 1 – 9 to de-select that phone number from being dialed. You will now see a blank " - " where that number was previously. Press ENTER to save the setting.
6. Repeat the process until you have designated all the numbers to each trigger. Remember that you can designate all 9 numbers to each trigger or only some to one and some to the other.

IMPORTANT: The numbers shown on the LCD display are the phone numbers assigned to that trigger or to the Test Call. (Pressing buttons 1 to 9 will toggle the numbers on/off on 1-9 respectively. If a number is not shown, then it means that it will not be called.

Example:

1 2 3 - - - 79

 means that only tel Numbers, 1, 2, 3, 7 and 9 will be dialed for that specific trigger.

IMPORTANT: Whether a voice or SMS is sent on activation of a specific trigger. See "Advanced Programming" - it also selects whether a voice message or SMS is sent on the Test Call. Note that some network providers now require a voice message rather than data only to keep a Pay-As- You-Go SIM card active.

HOW TO CREATE AN SMS MESSAGE FOR A TRIGGER INPUT (DEFAULT MEMORY IS EMPTY) SECT 6:

Quick guide: Press 1 2 3 4 > PROGRAM > 9 > ENTER > 1 > ENTER > MESSAGE > ENTER
("1" = Trigger Input 1 – 6 or "0" = Test Message. MESSAGE = 32 Digit Message including spaces.)

1. Key in the four-digit user Password code (Factory Default 1234).
1. Press PROGRAM > 9 > ENTER

Display will show SMS MESS

Press 1 to program a message for Trigger 1 input; Press 2 to program a message for Trigger 2 input, etc. The display will now be blank. Use the keys 1-0 on the keypad to enter letters or pronunciation marks.

Press each key continuously to obtain different letters as per standard telephone keypad. That means:
1 = "!" or "," or "." Or "1"; 2 = "a" or "b" or "c" or "2"; 3 = "d" or "e" or "f" or "3", etc, etc.

The cursor will move automatically to the next letter approximately 2 seconds after you have made your entry. Alternatively, Press the RECORD key to move the cursor to the left; Press the PLAY key to move the cursor to the right. Press the DELETE key to the delete the letter over which the cursor is flashing. Press ENTER to save your selection.

HOW TO SELECT WHETHER A TELEPHONE NUMBER RECEIVES A VOICE MESSAGE OR AN SMS OR BOTH: SECTION 0 (1)

(Factory Default – all telephone numbers receive a Voice Message only.)

Quick guide: Press 1 2 3 4 > PROGRAM > 0 > ENTER > 1 > ENTER > N > ENTER > 1 > ENTER
(N = Telephone Number 1,2,3,4,5,6,7,8 or 9; 1 = Voice, 0 = SMS; 2 = Voice & SMS.)

1. Key in the four-digit user Password code
2. Press PROGRAM > 0 > ENTER > 1 > ENTER.

Display will show Voice or SMS

Press 1 to programme Telephone Number 1; Press 2 to programme Telephone Number 2, etc.

Display will show Voice or SMS 1 Voice

Press 0 to select that telephone number to receive an SMS only or Press 2 to select that telephone number to receive an SMS and Voice message. Press 1 to return to the input sending a Voice message only.

Press ENTER to save selection.

Where both Voice messages and SMS are selected, then the Communicator will send all SMS's out first, then start dialing each number in sequence. Pressing # or * buttons will cancel continued voice message dial out or pressing 9 will open up listen-in and cancel further dial out.

Press ENTER to save selection.
ADVANCED PROGRAMMING

HOW TO PROGRAM THE COMMUNICATOR TO GIVE A LOCAL AUDIBLE ALARM AS WELL AS SENDING A VOICE MESSAGE SECTION 1:

(Factory Default – Alarm Off)

Quick guide: Press 1 2 3 4 > PROGRAM > 1 > ENTER > 1 > ENTER (1 = Audible, 0 = Silent)

1. Key in the four-digit user Password code (Factory Default 1234).
2. Press PROGRAM > 1 > ENTER

Display will show Alarm Sound Silent

Press 1 to change to Audible, Press 0 to return to Silent, Press ENTER to save your selection.

HOW TO SET THE TIME THE AUDIBLE LOCAL ALARM WILL SOUND ON ACTIVATION SECTION 2:

(Factory Default – 3 Minutes.)

Quick guide: Press 1 2 3 4 > PROGRAM > 2 > ENTER > Time > ENTER (Alarm time is from 1M-99M)

1. Key in the four-digit user Password code (Factory Default 1234).
2. Press PROGRAM > 2 > ENTER

Display will show Alarm Time 5 Mins

Press digits 1-9 to set the time in minutes between 1-99 that you wish the alarm to sound on activation. We recommend that you do not exceed a 20-minute alarm duration. Press ENTER to save your selection.

HOW TO SET TRIGGER DELAY TIMES SECTION 4:

(Factory Default – 0 Seconds – Instant.)

Set trigger delay time between 0, 30 and 60 seconds: As a false alarm prevention feature, this is the delay between a trigger being activated and when the Communicator starts to dial out.

Quick guide: Press 1 2 3 4 > PROGRAM > 4 > ENTER > N > ENTER (N = 0 OR 3 OR 6)

1. Key in the four-digit user Password code (Factory Default 1234).
2. Press PROGRAM > 4 > ENTER

Display will show Trigger Delay Instant

Press 3 to change to 30 seconds, Press 6 to change to 60 seconds, Press 0 to return to instant.

Press ENTER to save your selection.

HOW TO SET ARM DELAY TIMES SECTION 5:

(Factory Default – 0 Seconds – Instant.)

Set arm delay time between 0, 30, 60 and 90 seconds: This is the delay between the Communicator being armed or primed and the time the triggers are active or ON. Default setting is 0 seconds, or no arm delay. Note: If an arm delay time is programmed, then the ON symbol on the LCD display will flash throughout the programmed time delay period.

Quick guide: Press 1 2 3 4 > PROGRAM > 5 > ENTER > N > ENTER

1. Key in the four-digit user Password code (Factory Default 1234).
2. Press PROGRAM > 5 > ENTER

Display will show Exit Delay Instant

Press 3 to change to 30 seconds, Press 6 to change to 60 seconds, Press 0 to return to instant. Press ENTER to save your selection.

HOW TO SET THE ARM DELAY SOUND: SECTION 7:

(Factory Default – Silent.)

Select whether you want a silent or audible sound on any arm delay.

Quick guide: Press 1 2 3 4 > PROGRAM > 7 > ENTER > 1 > ENTER,(1 = Audible; 0 = Silent)

1. Key in the four-digit user Password code (Factory Default 1234).
2. Press PROGRAM > 7 > ENTER

Display will show Exit - Delay Sound Silent

Press 1 to change to Audible, Press 0 to return to Silent. Press ENTER to save your selection.

HOW TO SELECT WHETHER AN OUTPUT IS 5 SECOND MOMENTARY (TIMED) OR TOGGLE LATCHING SECTION 8 (1):

(FIRST ACTIVATION LATCHES OUTPUT ON, SECOND ACTIVATION TURNS IT OFF)
(Factory Default – Momentary.)

Quick guide: Press 1 2 3 4 > PROGRAM > 8 > ENTER > 1 > ENTER > N > ENTER > 1 > ENTER
(N = Output 1,2,3 or 4; 0 = Timed; 1 = Latched.)

1. Key in the four-digit user Password code (Factory Default 1234).
2. Press PROGRAM > 8 > ENTER > 1 > ENTER

Output

Display will show
Press 1 to program Output 1, Press 2 to program Output 2, etc.

Display will show Output 1 Timed

Press 1 to select Toggle Latching, Press 0 to return to instant. Press ENTER to save your selection.

HOW TO SELECT THE TIME OF THE MOMENTARY OUTPUT SECTION 8 (2):

(Factory Default is 5 secs)

Quick guide: Press 1234 > PROGRAM > 8 > ENTER > 2 > ENTER > Time > ENTER

(Time is any one or 2 digits between 1 – 99 = Output time from 1sec-99secs.)

1. Key in the four-digit user Password code.
2. Press PROGRAM > 8 > ENTER > 2 > ENTER

Display will show Timed Pulse Time

Press digits 1-9 to create the time in seconds that you wish to select as the time for a pulsed momentary output to activate (between 1 – 99 seconds). Press ENTER to save your selection

Note that the Output time selected will be the same for ALL outputs selected as being pulsed momentary

HOW TO SELECT WHETHER AN OUTPUT IS EVENT (TRIGGER ACTIVATED) AS WELL AS USER ACTIVATED SECTION 8 (3)

(Factory Default – User Activated Only)

Quick guide: Press 1 2 3 4 > PROGRAM > 8 > ENTER > 3 > ENTER > N > ENTER > 1 > ENTER

(N = Output 1,2,3 or 4; 0 = User Activated only; 1 = User + Event/ Trigger Activated.)

1. Key in the four-digit user Password code (Factory Default 1234).
2. Press PROGRAM > 8 > ENTER > 2 > ENTER

Display will show Output Type

Press 1 to program Output 1, Press 2 to program Output 2, etc.

Display will show Output Type User

Press 1 to select Output as activating on Trigger 1 (if selected, Output 1 will then activate on activation of Trigger 1, Repeat to program Output 2 activating on Trigger 2, etc.). Press 0 to return to User Activation only.

Press ENTER to save your selection.

HOW TO SELECT WHETHER A KEYSTROKE IS AUDIBLE OR SILENT SECTION 8 (4)

(Factory Default is Audible) An Audible Keystroke means you will hear a “beep” each time to press a key on the keypad during programming etc.

Quick guide: Press 1234 > PROGRAM > 8 > ENTER > 4 > ENTER

0= Silent, 1= Audible

1. Key in the four-digit user <PASSWORD> code. (Factory default 1234).
2. Press PROGRAM > 8 > ENTER >4> ENTER

Display will show

Key sound Audible

Press 0 to select a Keystroke as Silent, Press 1 to return to an Audible Keystroke. Press ENTER to save your selection.

HOW TO ACCESS THE ALARM MEMORY SECTION 8 (5)

This section will show the last 50 Alarm Events Time and Date Stamped

Quick guide: Press 1234 > PROGRAM > 8 > ENTER > 5 > ENTER > X > ENTER

“X”: 4= show previous event, 6= show next event

1. Key in the four-digit user <PASSWORD> code. (Factory default 1234).
2. Press PROGRAM > 8 > ENTER >5> ENTER

Display Example

Alarm History Trigger 1 20/05 14:28
--

Display shows Trigger 1 was activated at 14.28 on 20th May

Press 4 to scroll to the previous event, press 6 to scroll to the next event.

Note: If the Date and Time is not being shown, you will need to send the Communicator an SMS from a mobile phone. Select “send new SMS” on your phone, enter the Communicator SIM phone number and enter at least some text such as “Time Set” and press Send. The Communicator will now receive the current Date and Time from the Text Message

HOW TO SELECT WHETHER THE COMMUNICATOR SENDS OUT A REGULAR TEST CALL OR SMS SECTION 0 (2):

(Factory default – No Test Call or SMS.)

Quick guide: Press 1 2 3 4 > PROGRAM > 0 > ENTER > 2 > ENTER > 1 (or see below) > ENTER
(1 = Monthly; 2 = Weekly; 3 = Daily; 0 = No Test Call.)

1. Key in the four-digit user Password code (Factory Default1234).
2. Press PROGRAM > 0 > ENTER > 2 > ENTER

Display will show

Test Call No Test Call

Press 1 to select a monthly test call, 2 to select a weekly test call, 3 to select a daily test call and 0 to return to no test call.

If 1 is pressed

Display will show

Test Call Monthly Test Call

Press ENTER to save your selection.

IMPORTANT: Most Pay-As-You-Go SIM cards will be disabled after a certain period if they are inactive (this period varies according to the network provider), therefore, to stop this from happening, please enable the self-test feature. Some Providers now require voice rather than data only to keep a Pay-As-You-Go SIM card enabled.

HOW TO SHOW THE SIM CARDS IMEI CODE SECTION 0(3):

Quick guide: Press 1 2 3 4 > PROGRAM > 0 > ENTER > 3 > ENTER

1. Key in the four-digit user Password code (Factory Default 1234).
2. Press PROGRAM > 0 > ENTER > 3 > ENTER

Display will show IMEI Code

HOW TO SELECT THE LANGUAGE YOU WISH TO SHOW IN THE LCD DISPLAY SECTION 0 (4):

(Factory Default English)

Quick guide: Press 1234 > PROGRAM > 0 > ENTER > 4 > ENTER > 1 > ENTER

(0= English, 1= French, 2 = Italian, 3 = Spanish, 4= German, 5= Portuguese, 6 = Dutch, 7= Swedish)

1. Key in the four-digit user <PASSWORD> code.
2. Press PROGRAM > 0> ENTER > 4 > ENTER

Display will show

Language English

Press 1 to select French, 2 to select Italian, 3 to select Spanish, 4 to select German, 5 to select Portuguese, 6 to select Dutch, 7 to select Swedish or 0 to return to English

If 1 is selected

Language Francais

Press ENTER to save your selection

HOW TO SELECT WHETHER, AS AN INPUT “RUNAWAY” SAFETY MECHANISM YOU WISH TO LIMIT THE NUMBER OF CALLS IN ANY 24 HR PERIOD TO 50 SECTION 0 (5):

(Factory Default – No Limit)

Quick guide: Press 1234 > PROGRAM > 0 > ENTER > 5 > ENTER > 1 > ENTER (0= No Limit, 1= Limit to 50)

1. Key in the four-digit user <PASSWORD> code. (Factory default 1234).
2. Press PROGRAM > 0> ENTER > 5 > ENTER

Display will show

Limit to Calls No Limit

Press 1 to select a limit to 50 calls or SMS’s in any 24 HR period or 0 to return to No Limit

Press ENTER to save your selection

HOW TO SELECT WHETHER YOU WISH THE COMMUNICATOR TO FORWARD ON TO TELEPHONE NUMBER 1 ANY SMS THAT IT RECEIVES

SECTION 0 (6):

The reason for this is because some service providers will send a Pay-As-You-Go SIM card an SMS to warn when credit is low.

(Factory Default – No Forwarding of an incoming SMS.) Quick guide: Press 1 2 3 4 > PROGRAM > 0 > ENTER > 6 > 1 > ENTER

(0 = No Forwarding, 1 = Forwarding Active.)

1. Key in the four-digit user Password code (Factory Default 1234).
2. Press PROGRAM > 0 > ENTER > 6 > ENTER

Display will show

Call Forwarding
No Call Forwarding

Press 1 to select Call Forwarding or 0 to return to No Call Forwarding.

Display will show

Call Forwarding
Call Forwarding

Press ENTER to save your selection

HOW TO SELECT WHETHER THE TRIGGER INPUTS ARE SINGLE OR DOUBLE KNOCK. SECTION 0 (7):

Double knock means that an input requires 2 separate triggers within 60 seconds to activate it

(Factory Default: instant - No Double Knock)

Quick guide: Press 1234 > PROGRAM > 0 > ENTER > 7 > ENTER > 1 > ENTER

(0= Instant Activation, 1= Double Knock.)

1. Key in the four-digit user <PASSWORD> code. (Factory default 1234).
2. Press PROGRAM > 0 > ENTER > 7 > ENTER

Display will show

Double Knock
Not Active

Press 1 to turn Double Knock On or 0 to return to No Double Knock Display will show

Press ENTER to save your selection

Double Knock
Active

HOW TO SELECT WHETHER AN INPUT IS NORMALLY OPEN OR NORMALLY CLOSED AND IS THEREFORE ACTIVATED BY EITHER A CHANGE FROM OPEN TO CLOSED (DEFAULT) OR CLOSED TO OPEN

SECTION 0 (8):

(Factory Default setting is each Trigger is Normally Open)

Quick guide: Press 1 2 3 4 > PROGRAM > 0 > ENTER > 8 > ENTER > N > ENTER > 1 > ENTER

(N= Input 1,2,3, 4,5 or 6 0 = Normally Open, 1 = Normally Closed)

1. Key in the four-digit user <PASSWORD> code. (Factory default 1234).
2. Press PROGRAM > 0 > ENTER > 8 > ENTER

Display will show

NO/NC

Press 1 to program Input 1, press 2 to program Input 2 etc.

Display will show

NO/NC 1
NO

Press 1 to change that Input to Normally Closed, Press 0 to return to Normally Open Press ENTER to save your selection

HOW TO SELECT WHETHER A “POWER FAILURE” SMS IS AUTOMATICALLY SENT TO THE 1ST TEL NO IF THERE HAS BEEN A POWER FAILURE FOR MORE THAN 90 SECONDS FROM THE EXTERNAL POWER SUPPLY

Section 0 (9):

Note that this SMS will only be sent if a 9V back-up battery has been installed in the Communicator – Section 0 (sub-section 9):

(Factory Default no SMS sent)

Quick guide: Press 1234 > PROGRAM > 0 > ENTER > 9 > ENTER > 1 > ENTER

(0= No SMS sent, 1= SMS sent.)

1. Key in the four-digit user <PASSWORD> code.
2. Press PROGRAM > 0 > ENTER > 9 > ENTER (Note, pressing 9 after “0” means you enter section 0, sub-section 9)

Display will show

Power Failure
No SMS sent

Press 1 to have SMS sent on Power failure

Display will show

Power Failure
SMS sent

Press ENTER to save your selection

HOW TO TURN THE COMMUNICATOR ON/OFF LOCALLY OR REMOTELY

How to turn the Communicator ON: (Default ON. That, means the Communicator will always be active or ON when power is first applied or re-applied to it. Turn OFF to program and then turn back ON and leave ON)

From the Communicator: Quick guide: Press 1 2 3 4 >

ENTER



1. Check that the voice message and at least one phone number has been programmed into the Communicator.
2. Press 1 2 3 4 ENTER. The Communicator will show “ON” on the display.
3. The triggers will become active after the delay time you have set has expired (Default 0 seconds or instant).

From a Telephone: Quick guide: Call the Communicator and Press 1 2 3 4 > #



1. Check that the voice message and at least one phone number has been programmed into the Communicator.
2. Call the Communicator (tel no of the SIM card that has been installed). You will hear a long "beep" to indicate that the Communicator has answered. The Communicator's display will read "Call in".
3. Press 1 2 3 4 (4-digit code) followed by the # key. You will hear 2 beeps to indicate that the Communicator has been turned on and the Communicator will automatically hang up.
4. The triggers will become active after the delay you have set up has expired (default instant)

From a Text Message: Quick guide: Text the Communicator with 1 2 3 4 ># then press the return key



1. Check that the voice message and at least one phone number has been programmed into the Communicator.
2. Text the Communicator (telephone number of the SIM card that has been installed) with the message: 1 2 3 4 # - ensure you then press the return key before pressing send so the cursor on your phone is flashing on the next line. The Communicator's display will briefly show a number, being the number of texts it has received to date.
3. The triggers will become active after the time you have set has expired (default set at 0 seconds, instant).



HOW TO TURN THE COMMUNICATOR OFF: OR TO STOP IT DIALING OUT

From the Communicator: Press 1 2 3 4 ESC – Communicator will show OFF on the display. This will also stop calls being sent out after it has been triggered.

From a Telephone: Quick guide: Call the Communicator and press 1 2 3 4 > *



1. Call the Communicator (telephone number of the SIM card that has been installed). You will hear a long "beep" to indicate that the Communicator has answered. The Communicator's display will read "Call in".
2. Press 1 2 3 4 (4-digit code) followed by the * key. You will hear 4 beeps to indicate that the Communicator has been turned off and the Communicator will automatically hang up.

From a Text Message: Quick guide: Text the Communicator with 1 2 3 4 >* then press the return key.



Text the communicator (telephone number of the SIM card that has been installed) with the message 1 2 3 4 * - ensure you then press the return key before pressing send so the cursor on your phone is flashing on the next line. The Communicator's display will briefly show a number, being the number of texts it has received to date.

HOW TO STOP THE COMMUNICATOR DIALING THE TELEPHONE NUMBERS IN SEQUENCE

Quick guide: When the phone is answered, Press <#> or <*> on the receiving end's telephone keypad to stop the dialing sequence.

When the Communicator starts dialing, it will dial the first telephone number and repeat the pre-recorded voice message three times. The number dialed will appear briefly on the display and the display will then show the Telephone Number, in sequence, being called. If there is no response or acknowledgement (# or * pressed) from that number, then it will dial the next number until all the programmed numbers for that trigger are dialed. If there is no acknowledgement from any of the phone numbers, it will display "NO ANSWER".

To stop this dial sequence, press the <*> key on the telephone keypad that is receiving the call. At that time, the Communicator will stop its dialing sequence and the alarm (if programmed) will stop. If the local alarm has been programmed as active, then pressing the <#> key will stop the dialing sequence, but the alarm will continue to sound until timed out. In both cases, the Communicator will remain ON, waiting for any further trigger.

You can also stop the dial sequence at the Communicator's keypad by entering the 4-digit code and pressing ESC. This will turn the Communicator OFF

HOW TO OPEN "LISTEN-IN"



When answering a Voice Message from the Communicator: Quick guide: Press 9

1. If you wish to open "Listen-In" at any time, whilst receiving a voice message from the Communicator, press 9 on your telephone keypad.
2. To close the "Listen-In", simply hang up.

From a telephone: Quick guide: Call the Communicator and Press 1 2 3 4 > 9



1. Call the Communicator (telephone number of the SIM card that has been installed). You will hear a long "beep" to indicate that the Communicator has answered. The Communicator's display will read "Call In".
2. Press 1 2 3 4 (4-digit code) followed by the 9 key to open "Listen-In". To close, simply hang up

HOW TO RETURN THE COMMUNICATOR TO FACTORY DEFAULT SETTINGS

(Note: this can only be done when the Communicator is in the OFF mode.)

From the Communicator: Quick guide: Press 1 2 3 4 > ESC > ENTER > 1 2 3 4 > ESC > ENTER

1. Ensure the Communicator is in the OFF mode.
2. Press 1 2 3 4 > ESC > ENTER. The display will read "Factory Default" – Press 1 2 3 4 > ESC > ENTER again to confirm you wish to return to Factory Default Setting.

HOW TO TURN THE OUTPUTS ON AND OFF

The GJD710 has 4 Outputs that can be programmed:

1. User only (default setting) or Event Follower + User. "Event Follower" means Output 1 activates when trigger 1 is activated, Output 2 when trigger 2 is activated, and so on.
2. Whether the output is a 5 second pulsed momentary output or a toggle latching output. "Toggle Latching Output" means that the output remains ON until a further command turns it OFF again. Note: if the output has been programmed as a momentary output, a further programming section selects whether it remains On for a time between 1 and 99 seconds before automatically turning Off.

USER ACTIVATION OF THE OUTPUTS

From the Communicator: Quick guide: Press 1 2 3 4 > 0 > 1 (the number of the output).

1. Press 1 2 3 4, followed by 0, followed by the number 1-4, being the number of the output you wish to turn ON (Output 1 in this example).
2. The display will show "Output 1"
3. The output will become active for the time which has been programmed (a time of between 1 and 99 seconds if the output has been programmed as a momentary output or latching On until turned Off if it has been programmed as a latching output).
4. To turn a Latching output off, Press 1 2 3 4, followed by 0, followed by the number 1-4, being the number of the output you wish to turn off.

HOW TO INITIATE AN IMMEDIATE TEST CALL OR TEST SMS FROM THE GSM COMMUNICATOR

If you wish to receive a Test Voice Call, you will first need to record a Test Message. See "How to record the Voice Messages" (page 4) If you wish to receive a Test SMS, you will first need to create a Test SMS (see Page 5). The Test Call or SMS will be sent to those telephone numbers you have selected (default is all numbers will receive a test call). Select whether you wish numbers to receive a Test Voice Call only, Test SMS only or both Voice Call and SMS (see Page 5). You can cancel continued dial-out of the immediate Voice Message Test Call in the usual way by pressing * or # on your phone.

From a telephone: Quick Guide: Call the Communicator and press 1 2 3 4 > 5



1. Check that the Voice Test Call message and at least one phone number has been programmed into the Communicator.
2. Check whether you wish all or some programmed telephone numbers to receive such Voice Test Call message (default is all numbers).
3. Check whether you wish the telephone numbers to receive a Voice Test Call Message only or an SMS as well as a Voice Test Call Message (default is a Voice Test Call Message only). If you wish any telephone numbers to receive an SMS stating "Test", program such numbers to receive an SMS as well
4. Call the Communicator. You will hear a long "beep" to indicate that the Communicator has answered. The Communicator's display will read "Call In".
5. Press 1 2 3 4 (4-digit code) followed by the 5 key. The Communicator will hang up and the selected telephone numbers will then shortly receive an SMS first (if programmed to receive the same) followed by a Voice Test Call message.

OTHER USEFUL INFORMATION

HOW THE COMMUNICATOR INDICATES IF AN ATTEMPTED DIAL-OUT HAS OCCURRED DURING NBO GSM SIGNAL

If you see the Display alternating between ON and NO SIGNAL/ NO ANSWER, it means that the Communicator has lost contact with the Network, that an Alert has occurred, and that the Communicator has tried to dial-out.

If the Signal was lost, a dial-out has been attempted and the Signal has then returned, you will see the Display alternating between ON GSM READY and NO ANSWER

Note that in both cases, the event of NO SIGNAL and SIGNAL RESUME will be recorded in the Communicator's Memory.

HOW TO CHANGE THE BACK-UP BATTERY (IF USED):

Important: It is recommended to change the back-up battery pack at least once a year, even if not low.

1. First make sure that the Communicator is OFF. Then release it from the wall.
2. Remove the battery door and remove the old battery. Re-insert a new 9V BATTERY (Lithium recommended).
3. Re-fit the battery door and hang the Communicator back on the wall.

Note of Caution:

1. Do not mount the Communicator in areas that are exposed to extreme heat or moisture, as this could adversely affect the performance of the system.
2. Use only a damp cloth and general household cleaning agent to wipe the unit clean. Do not use turpentine, thinners, gasoline or similar substances to clean.

HOW TO TEST THE GSM NETWORK SIGNAL STRENGTH:

Whilst the Communicator is in the OFF mode (enter 4-digit code, default 1234 + ESC key), press ENTER to display the network reception quality on the LCD display. A number between 0 and 7 will appear. The strongest reception quality is 7. The Communicator should only be installed in a location where the signal strength display shows 2 or above. Move the Communicator to a different location if the number is 1 or below. You can continue to check the network reception strength at any time provide the Communicator is in the OFF mode. Note that you can also check signal strength by calling the Communicator and entering your code + 7 once it has answered. The Communicator will then send an SMS with current signal strength to Phone No 1 as programmed.

TROUBLE SHOOTING

Q	I have connected the Communicator to an Alarm Panel. The panel has activated, but there is no message appearing on the Communicator's LCD display and it is not dialing out.
A	<p>Check the following carefully:</p> <p>I. Does the Communicator have a 12V supply – either from the panel or via a 500ma 12V mains adaptor?</p> <p>II. Does the Communicator have a SIM card fitted? The words “On GSM Ready” should be showing in the display to indicate that a SIM card has been fitted and that a network has been found.</p> <p>III. Have you fitted your SIM card correctly? The SIM card must be fitted firmly into the holder in the correct orientation.</p> <p>IV. Have you made the correct connections to the Trigger 1 and 2 inputs (either switched negative or relay)?</p> <p>V. Is the Communicator On/Armed? Remember that if you have been programming, then it will have been in the Off mode and you will have to go back to On/Armed mode again. Enter your 4-digit code + Enter to turn On/Armed.</p> <p>VI. Has your SIM card been disabled by the Network Provider? Most Pay-As-You-Go SIM cards will be disabled after a certain period if they are inactive. Some Network Providers now also require voice usage rather than text usage to continue activation. Check first whether the Network Provider you are using accepts a regular text message to continue activation and over what period of time. Then enable a Self-Test Text Message (see Pages 4 & 6). If your Network Provider requires voice usage only, consider changing Providers or use a Contract SIM.</p>
Q	The Communicator's input has been activated correctly and a message has appeared in its display to indicate this, however, the voice message is not being received by the number it is meant to be dialing.
A	<p>Check the following carefully:</p> <p>I. Have you activated the correct Communicator trigger? You may have programmed different numbers to call out for Trigger 1 and Trigger 2.</p> <p>II. See Page 3: have you entered the correct telephone number to call and/or entered a wrong digit by mistake?</p> <p>III. If you think the Communicator should be dialing a particular number, have you actually de-selected that number for that trigger by mistake? (see Page 3) To check the numbers that are being dialed in sequence for Trigger 1, press 1234 (code) > Program > 6 > Enter > 1. You should now see various numbers between 1 and 0 illuminated. If a number is unlit it means it is not being dialed for Trigger 1. Toggle numbers on/off by pressing that number on the keypad. A number must be shown if it is being dialed for that trigger.</p>
Q	The Communicator's input has been activated correctly and a message has appeared in its display to indicate this, however, it is not then dialing out and an error message is appearing on the LCD displays
A	<p>Check the following carefully:</p> <p>I. Have you programmed at least one telephone number to the Communicator? If the Communicator is showing a “no answer message” in the display it means no telephone number has been programmed. Press 1234(code)+ESC to exit. Then, go to Page 4 and enter at least one telephone number as instructed.</p> <p>II. Have you deleted a telephone number by mistake? See Page 3 - To check whether the 1st telephone number you think you have programmed in is in the Communicator's memory correctly, Press 1234(code)>Program>3>Enter>1>Enter. You should now see that telephone number. Press Enter again to Exit programming. If you don't see a telephone number there, enter the number again and press Enter to exit. DO NOT PRESS ESC TO EXIT AS THIS WILL DELETE THAT NUMBER.</p> <p>III. Have you de-selected a number to be dialed out in sequence for that trigger by mistake? See Pages 4 & 5 - To check the numbers that are being dialed in sequence for Trigger 1, press 1234(code)>Program>6>Enter>1. You should now see various numbers between 1 and 0 illuminated. If a number is unlit, it means it is not being dialed for Trigger 1. Toggle numbers on/off by pressing that number on the keyboard. A number must be shown if it is being dialed for that trigger.</p> <p>IV. Is the Communicator in a location where it can obtain a good GSM signal? Check the Network signal strength by pressing ENTER (you can do this whilst the Communicator is both in the ON and OFF modes). The Communicator should be installed in a location where the signal strength displayed shows at least 2 or above. Move the Communicator to a different location in the premises or use an alternative network SIM card.</p>
Q	I can't cancel the remote dial-out remotely by pressing, on the remote telephone hand-set, either * (cancel dial out and alarm sound if programmed) or # (cancel dial out only, alarm sound will continue until time out).
A	Have you waited until the message has ended? You cannot cancel until it has been played to you at least once.

Certifications



For Declaration of Conformity please go to:

http://www.gjd.co.uk/sites/default/files/pdf-files/declaration_of_conformity_-_gsm_autodialler_gjd710.pdf

www.gjd.co.uk | info@gjd.co.uk | +44 (0) 1706 363 998

Unit 2 Birch Business Park, Whittle Lane, Heywood, Greater Manchester, OL10 2SX, UK