

4 Zone Expansion Unit Lighting Controller

Designed to work with the GJD DygiZone digital lighting controller and the GJD range of external PIR detectors the advanced 4 Zone Expansion Unit greatly simplifies installation time and cost.

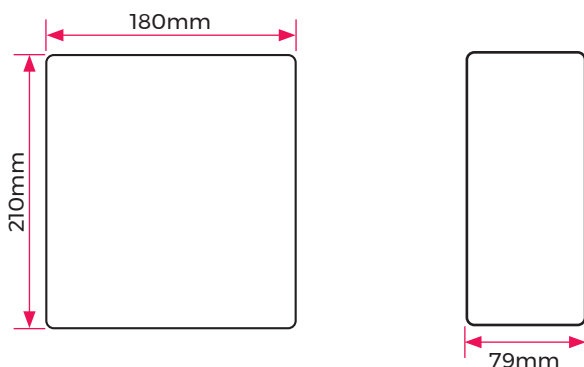
The 4 Zone Expansion Unit incorporates an energy efficient switched mode power supply and can control up to four individual lighting circuits each with 1500W resistive load. Additionally, the modular design enables the Expansion Unit to be conveniently installed within easy access to the mains supply. Up to 10 x 4 Zone Expansion units can be used on one system.



PRODUCT CODES

GJD040 4 Zone Expansion Unit

DIMENSIONS



FEATURES

- Works in conjunction with GJD DygiZone
- Modular design

BENEFITS

- Easy to install
- Energy efficient

SPECIFICATIONS

MAINS SUPPLY INPUT	2 X 230 VAC 50Hz via RCD, MCB & 13 AMP fused spurs
LIGHTING OUTPUTS DRIVEN	4 X 230 VAC 50Hz 1500 WATTS resistive maximum or 1000 watts ballast
12 VDC DRIVEN	12 VDC @ 1 AMP
"T" 1 & 2 OUTPUT	5 mA +VE suitable for driving base of NPN transistor. Triggered from detectors on zones 1&2
"T" 3 & 4 OUTPUT	5 mA +VE Suitable for driving base of npn transistor. Triggered from detectors on zones 3 & 4
AUX 1 & 2 OUTPUT	50 Ma -VE suitable for driving low power sounders. Triggered from detectors on zones 1 & 2
AUX 3 & 4 OUTPUT	50 Ma -VE suitable for driving low power sounders. Triggered from detectors on zones 3 & 4
OPTIONS	Up to 10 expansion units can be added to a system for additional switching capacity or 12 volt supply
OPERATING TEMPERATURE	-10 to 50°C
WEIGHT	810g
DIMENSIONS	210 x 180 x 79mm
MOUNTING	Mount in a clean dry location on a secure flat surface