

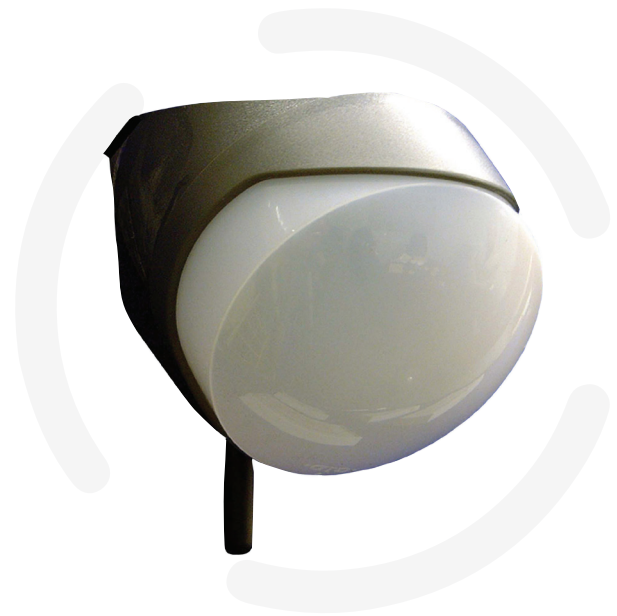
**Opal RFX Wireless Detector**

The Opal RFX is a robust external 35 metre passive Infra-Red intruder detector, designed to detect and transmit reliable event-based triggers to the weatherproof RFX-3 Receiver.

These combined units enable simultaneous or individual control of cameras, DVR's and virtually all low voltage switching requirements.

On installation the integral, dual axis bracket of the sensor allows 180° of pan and 90° tilt to ensure the accurate aiming of the detection beams. The ABS vandal resistant housing has a UV stabilised translucent front cover to provide additional protection to the optics.

All activity signals are directed to their respective volt free outputs and in addition there are a further nine individual monitoring and information outputs.

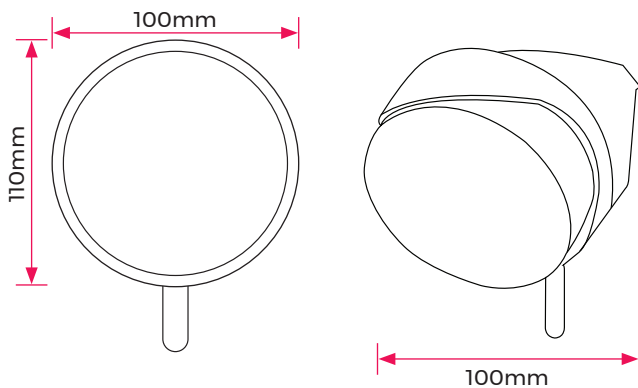


**PRODUCT CODES**

**GJD017** RFX-3 Receiver

**GJD018** Opal RFX

**DIMENSIONS**



**FEATURES**

- Fully adjustable range
- Wireless detector
- Battery powered
- UV stabilised high impact ABS housing
- White-light filter

**BENEFITS**

- IP55 rated
- Low voltage
- Energy efficient
- Weatherproof
- Cost efficient
- Covert sensor module

# SPECIFICATIONS

| OPAL RFX Wireless Detector |   |
|----------------------------|---|
| <b>Supply</b>              | 2 x AAA Alkaline batteries 1.5V (not supplied) Low power - typical battery life 2 years   |
| <b>Transmission</b>        | 433.92 MHz frequency - SAW stabilised 150 metres line-of-sight  |
| <b>Detection Area</b>      | 10 to 35m (adjustable) up to 750 sq m   |
| <b>Coverage</b>            | 35m x 30m - 90° multifunction lens  |
| <b>Adjustment</b>          | 180° pan and 90° tilt   |
| <b>Fresnel lens</b>        | 36 zone   |
| <b>Optics</b>              | Double silicon shielded dual element eliminates 50,000+ lux of white light  |
| <b>Mounting</b>            | 3m high for multibeam coverage, 6m high for curtain coverage and 1.5m with mask for pet immunity  |
| <b>Processing</b>          | Intelligent signal processing. Non volatile memory 16 million possible identification codes   |
| <b>Features</b>            | Area reduction mask (if required)<br>Detection signal timer output 0.4 to 60 secs.<br>Light level signal output 2 lux to daylight<br>Pulse count 1, 2 & 3 |
| <b>Temperature</b>         | -20° C + 55° C  |
| <b>Enclosure</b>           | IP55 rated<br>Ultra violet stabilised high impact ABS   |
| <b>Weight</b>              | 152 grams   |

| RFX 3 Receiver        |   |
|-----------------------|---|
| <b>Supply</b>         | 12VDC @ 35mA nominal (9 to 15VDC max)   |
| <b>Reception</b>      | Monitors signal from up to 3 Opal RFX PIR's with high selectivity SAW filter  |
| <b>Outputs (CCTV)</b> | 3 x independent volt free outputs. Selectable normally open (form A) or normally close (form B) Timers 0.4 to 60 seconds after last detection |
| <b>Outputs (A)</b>    | 3 x independent switching - ve outputs (24hr) rated @ 25mA - 0.4 seconds on detection   |
| <b>Outputs (LUX)</b>  | 1 x photocell controlled -ve switching<br>Adjustable: Dusk (2 lux) to 24 hour Active 60 seconds after last detection                          |
| <b>Tamper</b>         | Housing back and front tamper volt free output (form B)   |
| <b>RF Output</b>      | 3 x independent RF/loss of signal -ve switching rated @250mA  |
| <b>Low Battery</b>    | Output - ve switching rated @250mA  |
| <b>Testing</b>        | Independent channel active indicators attendance reporting  |
| <b>Processing</b>     | Intelligent digital signal processing<br>Plug in code memory transfer system<br>Non volatile memory   |
| <b>Temperature</b>    | -20° C + 55° C  |
| <b>Enclosure</b>      | Weatherproof IP65 ABS housing   |
| <b>Weight</b>         | 340 grams   |

## RFX-3 RECEIVER BLOCK DIAGRAM

