

**D-TECT 50 IP Motion Detector**

The D-TECT 50 IP is an internet protocol connected detector that combines advanced signal processing and unique optical systems. The detection beam range can be programmed up to 50 metres, avoiding boundary overspill and making it particularly effective for perimeter detection.

Using Power over Ethernet and IP communication, the D-TECT 50 IP supports direct integration with all the major\* VMS and camera systems on the market, while keeping the installation just as easy as setting up an IP camera.

**PRODUCT CODES**  
**GJD250** D-TECT 50 IP Motion Detector

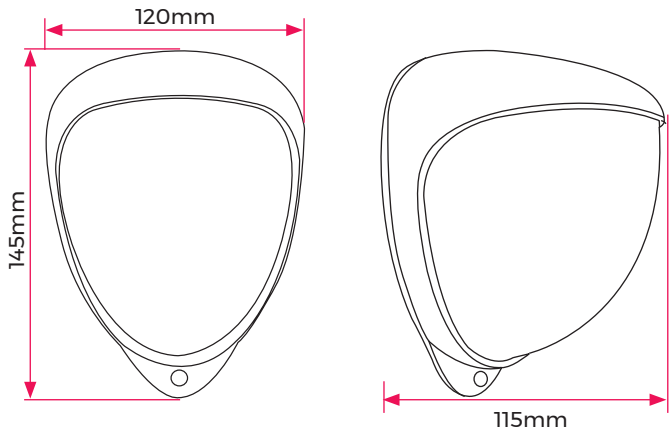
**FEATURES**

- Power over Ethernet
- Advanced signal processing, quad pyro & optical systems
- Direct control of IP cameras
- Web browser interface
- Robust IP65 zinc metal housing
- Direct integration with VMS systems

**BENEFITS**

- Ability to monitor a large detection area
- Exceptional resistance to false alarms
- Low maintenance & cost efficient
- Suitable for adverse weather conditions
- Easy to setup and service
- Remote IP setup and diagnostics

**DIMENSIONS**



**Integrations:**  
D-TECT IP enabled sensors seamlessly integrate with advanced security and home automation integrations.

**Supported VMS software/NVRs**



**Supported cameras for direct control**



**Supported home automation software**



We are continuously testing and updating our integration, so if you can't see your preferred VMS or camera please email [info@gjd.co.uk](mailto:info@gjd.co.uk)

# SPECIFICATIONS

## ACCESSORIES

<b>GJD304</b>	Conduit adaptor
<b>GJD305</b>	Pole Mount Bracket
<b>GJD308</b>	D-Guard
<b>GJD380</b>	Walk tester

<b>RANGE</b>	Up to 25-50m programmable
<b>COVERAGE</b>	Detection Area 50m x 10m
<b>ADJUSTMENT</b>	180° pan + 90° tilt, with visual pan & tilt alignment markers
<b>MOUNTING HEIGHT</b>	Optimum 3m
<b>FRESNEL LENS</b>	12 zones for each pyro pair
<b>CUSTOMISED OPTICS</b>	Double silicon shielded quad element eliminates 50,000 Lux of white light
<b>NETWORK ALARMS</b>	User configurable HTTP web requests, XML and raw TCP socket support. Direct integration for all major VMS software
<b>OUTPUTS</b>	2 x volt-free, silent solid state magnetically immune, programmable trigger options
<b>POWER SUPPLY</b>	Power over Ethernet (48V DC)
<b>POWER CONSUMPTION</b>	Max 3.8W, PoE class 1
<b>ETHERNET STANDARD</b>	Ethernet IEEE 802.3af, TCP/IP
<b>USER INTERFACE</b>	Web browser user interface. No software or installation needed
<b>PULSE COUNT</b>	1,2
<b>WALK TEST</b>	Output test mode with LED indication
<b>OPERATING TEMP</b>	-20°C to +55°C conformally coated electronics for increased stability
<b>TEMP. COMPENSATION</b>	Digital sensitivity adjustment
<b>TIMER OPTIONS</b>	Up to 120 seconds
<b>LIGHT SENSING</b>	Dusk (2 Lux) to 24 hour
<b>HOUSING</b>	High impact zinc alloy
<b>PROTECTION RATING</b>	Minimum IP65
<b>DIMENSIONS</b>	145 x 120 x 115mm
<b>WEIGHT</b>	692g

## BEAM PATTERNS

