

Clarius®



PRODUCT CODES

VS-CW Small Clarius PLUS White-Light Illuminator

FEATURES

Latest SMT LED technology
Distances up to 81m (264')
Low power consumption (15W)
Long life
5 year warranty
IP66 weather proof rating
Built-in photocell WL on/off
Photocell following contact
Telemetry input for remote switching
12-32V DC / 24V AC +/- 10%
CleanLITE® self cleaning lens coating technology
Angle 10°, 20°, 30°, 60°, 80° & 95°
Elliptical beam profiles
Pressure equalisation vent
High quality anodised aluminium heatsink

Small WL LED Illuminator

The **Clarius® Plus** range of high performance White-Light illuminators are designed to provide class leading performance, long life and ultra low maintenance.

Incorporating the latest surface mount LED's with enhanced optical output and outstanding reliability, they deliver excellent night-time images.

Each unit is fitted with integrated control circuitry to carefully control LED output, delivering consistent illumination and projected working life in excess of 10 years.

The **Clarius® Plus** range of illuminators includes a new interchangeable lens diffuser system; which allows the user to quickly and easily alter the angle of illumination. Elliptical beam profiles allow more light to be delivered where it is needed, allowing both longer distances and minimising light wastage. The system also helps to prevent overexposure of foreground objects.

As standard the illuminator includes interchangeable lensing to deliver 10° circular, 20°, 30°, 60°, 80° & 95° elliptical beam profiles.

Installation is quick and easy, requiring only a 12-32V DC / 24V AC +/- 10%.



INTERCHANGEABLE
DIFFUSER LENS

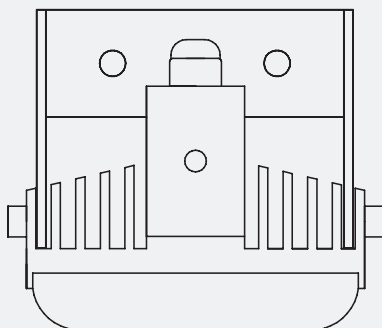
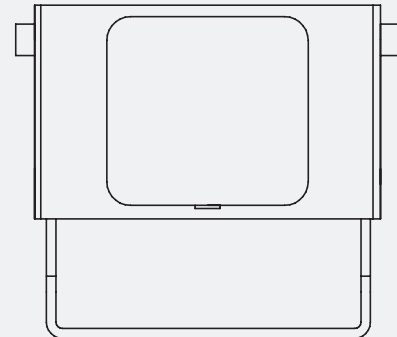
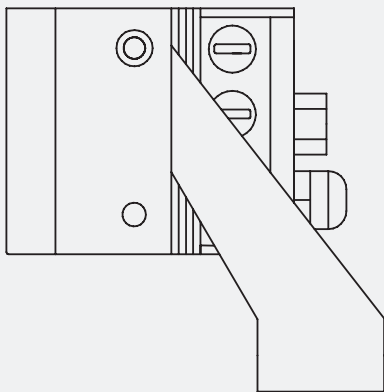
Recommended PSU

ALT-30-24



Product Code	Angle	Distance		FOV	
VS-CW	10° - Circular	81m	264'	14m	46'
	20° - Elliptical	54m	176'	19m	62'
	30° - Elliptical	47m	154'	25m	83'
	60° - Elliptical	34m	110'	39m	127'
	80° - Elliptical	27m	88'	45m	148'
	95° - Elliptical	20m	66'	44m	144'

TECHNICAL SPECIFICATIONS



GENERAL

Electronics	High Efficiency Surface Mount High Power LED's With Advanced Current Limited Integral Control Circuitry
Construction	Robust High Quality Aluminium Extrusion
Front Window	Polycarbonate High Transmission Protective (Vandal Proof) with CleanLITE® Technology
Finish	Black Anodised
Power Cable	3m (9ft) Including Photocell Following Contact & Remote Telemetry Input
Pressure Equalisation Vent	Prevents Thermal Expansion & Pressure Cycling
Photocell	Adjustable 20 -70 Lux
Illumination	Adjustable 10% - 100%
Operating Temperature	-50° to 50°C (-58° to 122°F)
Weight	750g (1.6lbs)
Mount	Powder Coated Stainless Steel Wall Mount
Dimensions	68 x 110 x 78mm (2.68" x 4.33" x 3.07")

ELECTRICAL

Input Voltage	12-32V DC or 24V AC +/- 10%
Input Current	0.6A at 24V AC
Consumption	15W

LIGHTING OUTPUT

Lumen Output	928lm
Wavelength	Visible Spectrum (400-750nm)
Colour Temperature	6500k
Colour Rendering Index	74-80+

CERTIFICATION

Safety	EN60598:2004 Electrical Safety
	EN60825-1 Laser Eye Safety
IP	IP66 In Accordance With EN60529:1992
EMC	EN61000, FCC Part 15. 107 15. 108 Class B
WEEE	Waste Electrical & Electronic Equipment European Directive 202/96/EC
RoHS	Restriction Of Hazardous Substance European Directive 202/95/EC

