

Clarius®



Small PoE IR LED Illuminator

The **Clarius® Plus** range of high performance Infra-Red LED illuminators are designed to provide class leading performance, long life and ultra low maintenance.

Incorporating the latest surface mount **Dual Core®** LED's with enhanced optical output and outstanding reliability, they deliver excellent night-time images.

Each unit is fitted with integrated control circuitry to carefully control LED output, delivering consistent illumination and projected working life in excess of 10 years.

The **Clarius® Plus** range of illuminators includes a new interchangeable lens diffuser system; which allows the user to quickly and easily alter the angle of illumination. Elliptical beam profiles allow more light to be delivered where it is needed, allowing both longer distances and minimising light wastage. The system also helps to prevent overexposure of foreground objects.

As standard the illuminator includes interchangeable lensing to deliver 10° circular, 20°, 30°, 60°, 80° and 95° elliptical beam profiles.

PRODUCT CODES

IS-8-P Small Clarius PLUS PoE Infra-Red Illuminator 850nm

IS-9-P Small Clarius PLUS PoE Infra-Red Illuminator 940nm

FEATURES

IR illuminator designed to provide dedicated lighting for IP cameras via PoE (Power Over Ethernet)

IEEE802af Compliant

Latest **Dual Core®** SMT LED technology

Elliptical beam profiles

Distances up to 101m (332')

Angle 10°, 20°, 30°, 60°, 80° & 95°

850nm or 940nm wavelengths

5 year warranty

IP66 weather proof rating

Built-in photocell IR on/off

Photocell following contact

Telemetry & camera day/night remote switching

CleanLITE® self cleaning lens coating technology

Advanced LED optics

High quality anodised aluminium heatsink

Pressure equalisation vent

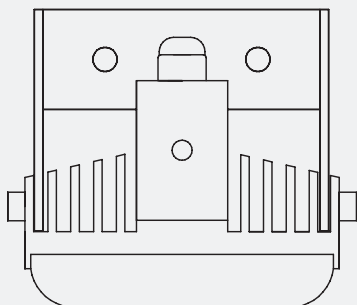
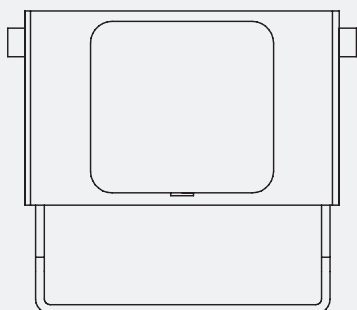
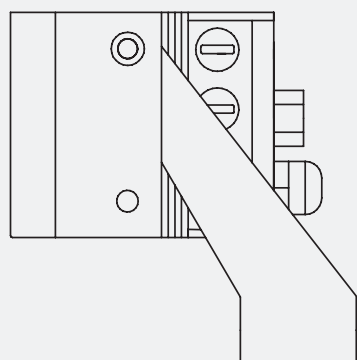


INTERCHANGEABLE
DIFFUSER LENS



Product Code	Wavelength	Angle	Distance		FOV	
IS-8-P	850nm	10° - Circular	101m	332'	18m	58'
		20° - Elliptical	69m	226'	24m	80'
		30° - Elliptical	51m	166'	27m	89'
		60° - Elliptical	32m	106'	37m	122'
		80° - Elliptical	23m	75'	39m	127'
		95° - Elliptical	16m	53'	35m	115'
IS-9-P	940nm	10° - Circular	62m	204'	11m	36'
		20° - Elliptical	37m	121'	13m	43'
		30° - Elliptical	30m	98'	16m	53'
		60° - Elliptical	18m	60'	21m	70'
		80° - Elliptical	14m	45'	23m	76'
		95° - Elliptical	9m	30'	20m	66'

TECHNICAL SPECIFICATIONS



GENERAL

Electronics	High Efficiency Surface Mount High Power Dual Core ® LED's With Advanced Current Limited Integral Control Circuitry
Construction	Robust High Quality Aluminium Extrusion
Front Window	Polycarbonate High Transmission Protective (Vandal Proof) IR Filter with CleanLITE ® Technology
Finish	Black Anodised
Power Cable	3m (9ft) with waterproof RJ45 connector
Interface Connector	Photocell Following Contact & Remote Telemetry Input
Pressure Equalisation Vent	Prevents Thermal Expansion & Pressure Cycling
Photocell	Adjustable 20 -70 Lux
Illumination	Adjustable 10% - 100%
Operating Temperature	-50° to 50°C (-58° to 122°F)
Weight	750g (1.65lbs)
Mount	Powder Coated Stainless Steel Wall Mount
Dimensions	68 x 110 x 78mm (2.68" x 4.33" x 3.07")

ELECTRICAL

Power Over Ethernet (PoE)	IEEE802af Compliant Interface, Power Classification (Class 0)
Consumption	12W

WAVELENGTH

Standard	850nm (Semi Covert). Faint Red Glow Only
-----------------	--

CERTIFICATION

Safety	EN60598:2004	Electrical Safety
	EN60825-1	Laser Eye Safety
IP	IP66 In Accordance With EN60529:1992	
EMC	EN61000, FCC Part 15. 107 15. 108 Class B	
WEEE	Waste Electrical & Electronic Equipment European Directive 202/96/EC	
RoHS	Restriction Of Hazardous Substance European Directive 202/95/EC	

