

# Clarius®



## Small LT IR LED Illuminator

The Clarius® LT range of entry level Infra-Red LED illuminators are designed to provide class leading performance, long life and ultra low maintenance.

Incorporating the latest **Dual Core** surface mount LEDs with enhanced optical output and outstanding reliability, they deliver excellent night-time images.

Each unit is fitted with integrated control circuitry to carefully control LED output, delivering consistent illumination and projected working life in excess of 10 years.

Installation is quick and easy, requiring only a 12-32V DC +/- 10%.

### PRODUCT CODES

**IS-830-LT** 30° Small Clarius LT entry level Infra-Red Illuminator

**IS-890-LT** 90° Small Clarius LT entry level Infra-Red illuminator

### FEATURES

Latest SMT <b>Dual Core</b> ® LED technology
Distances up to 20m
850nm wavelength
Low power consumption (12W)
Long life
3 year warranty
IP67 weather proof rating
Integrated photocell
12-32V DC +/- 10%
<b>CleanLITE</b> ® self cleaning lens coating technology
Easy installation
High quality anodised aluminium heatsink

### RECOMMENDED PSU

<b>Model:</b>	ALT-30-24
<b>Output:</b>	24 VDC / 1.25A Max
<b>Input:</b>	100-250 V AC / 0.45A 50/60Hz
<b>Ratings:</b>	IP67
<b>Dimensions:</b>	200 x 20 x 29mm



MODEL NUMBER	WAVELENGTH	ANGLE	DISTANCE		FOV	
IS-830-LT	850nm	30°	20m	66'	11m	36'
IS-890-LT	850nm	90°	15m	49'	30m	98'

Other angles available on request.

## TECHNICAL SPECIFICATIONS

### GENERAL

#### Electronics

High Efficiency Surface Mount **Dual Core** Power LED's With Advanced Current Limited Integral Control Circuitry

#### Construction Front Window

Robust High Quality Aluminium Extrusion Polycarbonate High Transmission Vandal Proof IR Filter with **CleanLITE®** Technology

#### Finish

Black Anodised

#### Power Cable

3m (9ft)

#### Photocell

Preset 50 Lux

#### Operating Temperature

-50° to 50°C (-58° to 122°F)

#### Weight

750g (1.6lbs)

#### Mount

Powder Coated Stainless Steel Wall Mount

#### Dimensions

68 x 110 x 54mm (2.68" x 4.33" x 3.07")

### ELECTRICAL

#### Input Voltage

12-32V DC +/- 10%

#### Input Current

0.5A at 24V DC

#### Consumption

12W

### WAVELENGTH

#### Standard

850nm (Semi Covert). Faint Red Glow Only

### CERTIFICATION

#### Safety

EN60598:2004

Electrical Safety

EN60825-1

Laser Eye Safety

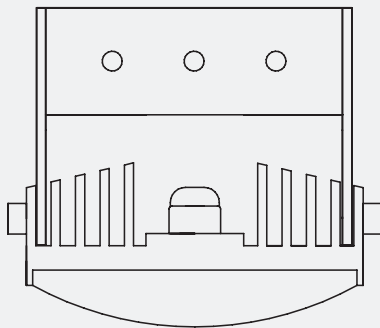
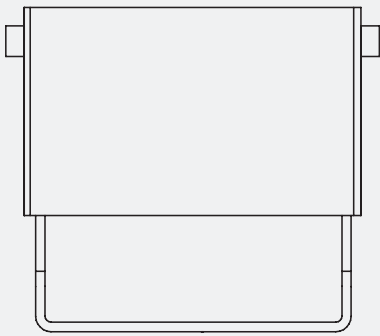
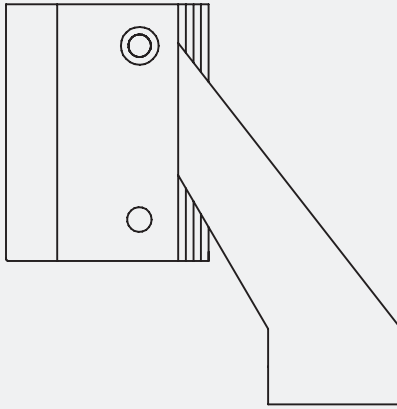
#### IP

IP67 In Accordance With EN60529:1992

#### EMC

EN61000, FCC Part 15. 107

15. 108 Class B



### RECOMMENDED PSU



#### Model:

ALT-30-24

#### Output:

24 VDC / 1.25A Max

#### Input:

100-250 V AC / 0.45A

50/60Hz

#### Ratings:

IP67

#### Dimensions:

200 x 20 x 29mm

