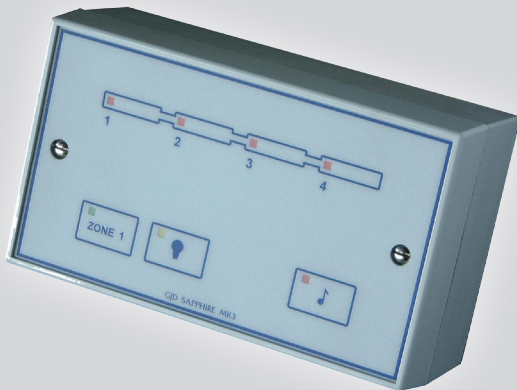




**Sapphire 1500 MK3** Lighting Controller



A stand alone single zone security lighting controller, which enables external areas to be accurately monitored and illuminated.

Automatically switches up to 1500 Watts of lighting at night for a pre-set period and can be manually overridden when required.

Incorporates an audible warning tone and features four detector indicators which illuminate when activated by detection day and night.

**PRODUCT CODES**

**GJD005** Sapphire 1500 MK3

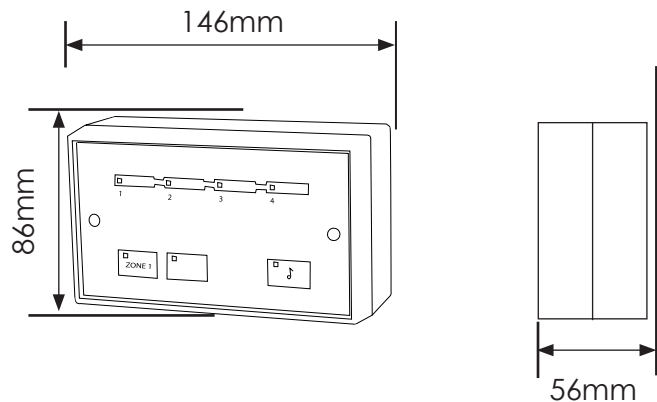
**UNIQUE FEATURES**

- Four indicators
- 1500 Watts of lighting load
- At dusk, detector activated automatic lighting for timed period
- Selectable audible beep on detection
- Manual override of lights
- Links to an alarm system to activate all lights if alarm sounds

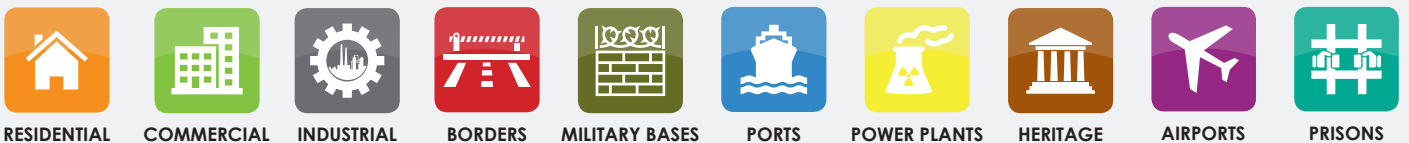
**END USER BENEFITS**

- Accurately monitor areas 24 hours a day
- Cost efficient
- Quick to install
- Easy to operate

**DIMENSIONS**



**SECTORS**



Please note GJD reserve the right to change the information within this document, without notice.

[www.gjd.co.uk](http://www.gjd.co.uk) | [info@gjd.co.uk](mailto:info@gjd.co.uk) | +44 (0) 1706 363 998

Unit 2 Birch Business Park, Whittle Lane, Heywood, Greater Manchester, OL10 2SX, UK

DS005-10-05-2015

