



Pearl Triple Tech Anti-Masking 'Curtain Detector'

The Pearl sensor is an outdoor triple technology anti-masking motion detector, which uses PIR and microwave sensors for triple detection.

The motion detector will aid to protect properties against crime with its invisible curtain.

The Pearl can be positioned to look across windows, doors or the entire length of the house or property wall. It also comes equipped with anti-masking circuitry and separate output contacts.

The Pearl detector is supplied with a customisable "T" bracket for narrow beam applications protecting across a door or window. An additional swivel bracket can be purchased for applications that require a customisable pan and tilt angle.

PRODUCT CODES

GJD140 Pearl Curtain Detector Silver - 10.587 GHz

GJD140W Pearl Curtain Detector White - 10.87 GHz

GJD141 Pearl Curtain Detector Silver - 10.525 GHz

GJD141W Pearl Curtain Detector White - 10.525 GHz

UNIQUE FEATURES

Triple technology, PIR, microwave and anti-masking

Narrow PIR curtain lens

Up to 12m selectable detection range

N/C volt free contacts for alarm, mask and tamper

Masking detection prevents intruder tampering

END USER BENEFITS

IP65 (Suitable for outdoor use)

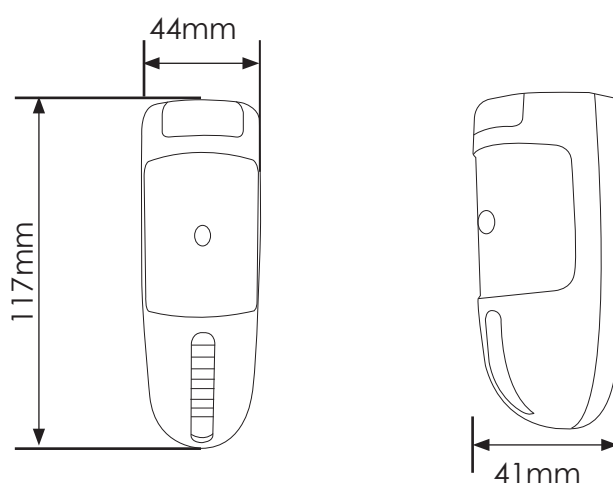
Low voltage 12V DC supply input

Temperature compensation for extreme environments

Available in silver or white

Four selectable detection ranges

DIMENSIONS



SECTORS



RESIDENTIAL



COMMERCIAL



INDUSTRIAL



BORDERS



MILITARY BASES



PORTS



POWER PLANTS



HERITAGE



AIRPORTS



PRISONS

TECHNICAL SPECIFICATIONS

ACCESSORIES

GJD149	Silver swivel bracket
GJD149/W	White swivel bracket



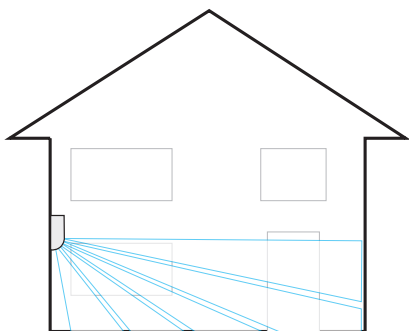
T-Bracket



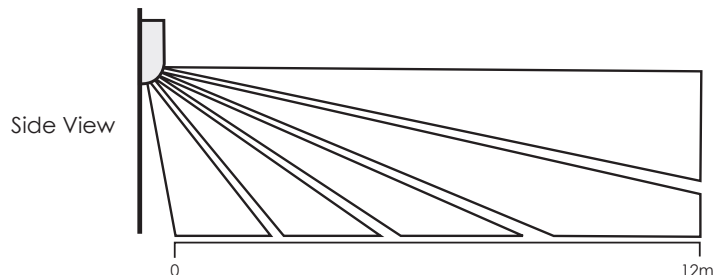
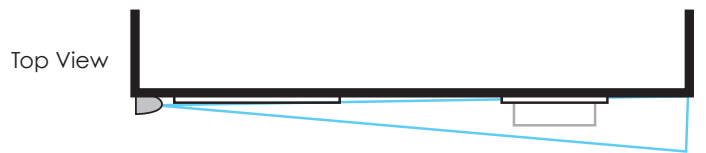
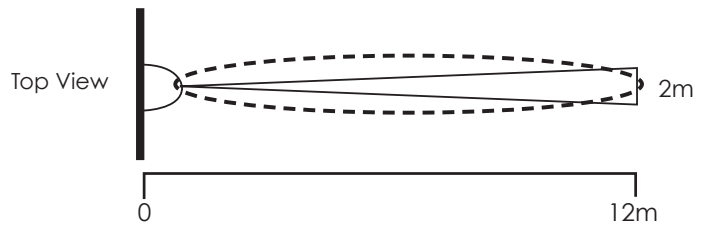
Swivel Bracket

PRODUCT CODE	GJD140
DETECTION RANGE	3m, 6m, 9m, 12m
NORMALLY CLOSED ALARM	50mA 24Vdc alarm time 10s
NORMALLY CLOSED MASKING	50mA 24Vdc
NORMALLY CLOSED TAMPER	with 20Ω impedance 50mA
POWER INPUT	12V +/- 3V @ max 40mA
During installation the DC supply fault current shall be limited to a maximum of 1A	
OPERATING TEMPERATURE	-20°C to +55°C
TEMPERATURE COMPENSATION	Digital
MICROWAVE FREQUENCIES	GJD140 10.587GHz GJD141 10.525GHz
MAX BEAM PATTERN AREA	12 x 2m
DIMENSIONS	117mm(h) x 44mm(w) x 41mm(d)
T-BRACKET	120mm(h) x 68mm(w) x 50mm(d)
BOXED	125mm(h) x 93mm(w) x 58mm(d)
WEIGHT	154g
PACKED WEIGHT	200g
CABLE (<200m)	8 core 7/0.2mm
WALK TEST	Using LED indication
RECOMMENDED MOUNTING HEIGHT	2 - 2.5m
SWIVEL BRACKET ACCESSORY	GJD 149

BEAM COVERAGE



Side View



Please note GJD reserve the right to change the information within this document, without notice.

