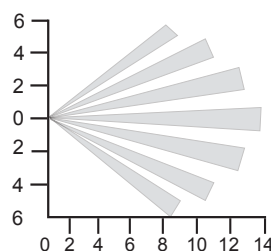


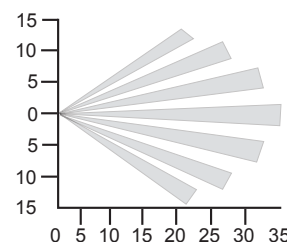
## MX35 PIR Motion Detector

The MX35 external PIR detector is a reliable, outdoor, low voltage passive infra-red detector, designed for event driven alarm and CCTV applications.

\*Not available in the United Kingdom.



BEAM PATTERN SET TO MINIMUM RANGE - MASKING TOP SECTION OF LENS WILL REDUCE RANGE TO 6 METRES



BEAM PATTERN SET TO MAXIMUM RANGE - MASKING TOP SECTION OF LENS WILL REDUCE RANGE TO 20 METRES

### PRODUCT CODES

**GJD101** MX35 External PIR

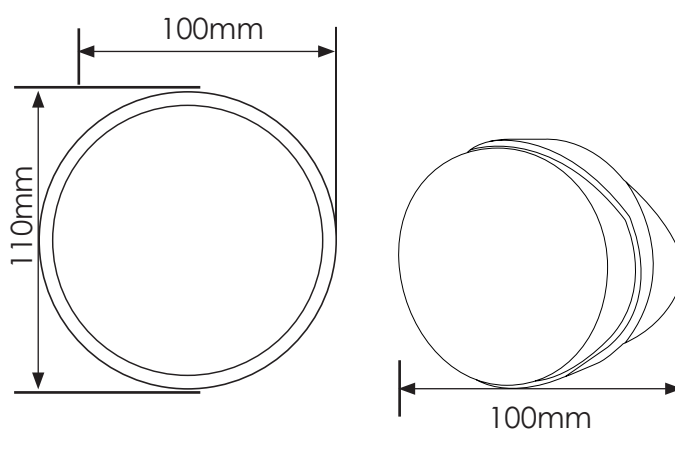
#### UNIQUE FEATURES

- Tamper protection to prevent unauthorised re-alignment
- Adjustable range from 10 to 35m with a maximum coverage of 750m<sup>2</sup>
- Dual axis tilt module allowing 180° pan and 90° tilt
- Vandal resistant high impact ABS housing
- Selectable pulse count
- Beam masking for pet alley
- Tamper and alarm volt free contacts
- IP55 housing
- Mounting height up to 6m

#### END USER BENEFITS

- Low voltage Infra-Red detector
- Digital White-Light filter
- Covert detection
- High immunity to false alarms
- Low maintenance
- Cost efficient

### DIMENSIONS



### SECTORS



RESIDENTIAL



COMMERCIAL



INDUSTRIAL



BORDERS



MILITARY BASES



PORTS



POWER PLANTS



HERITAGE



AIRPORTS



PRISONS

Please note GJD reserve the right to change the information within this document, without notice.

[www.gjd.co.uk](http://www.gjd.co.uk) | [info@gjd.co.uk](mailto:info@gjd.co.uk) | +44 (0) 1706 363 998

Unit 2 Birch Business Park, Whittle Lane, Heywood, Greater Manchester, OL10 2SX, UK

DS101-10-05-15