



## MX20 Quad Mini Detector

Setting a new standard in perimeter protection, GJD's MX20 outdoor detector is perfect for protecting homes and businesses alike.

The MX20 can be connected directly to intruder alarm panels and can be used to trigger CCTV recordings. The MX20 Quad Mini D-TECT uses GJD's advanced intruder detection software to minimise external nuisance alarms, whilst two independent sensing circuits significantly enhance the capture of genuine threats.

\*Not available in the United Kingdom

### CODIGOS DE PRODUCTO

**GJD103** Mini External Detector

**GJD103/W** Mini External Detector - White

#### UNIQUE FEATURES

Covert detection

Adjustable pan and tilt mode

Sliding curtains allow an adjustable view

Rear and front tampers for additional security

#### END USER BENEFITS

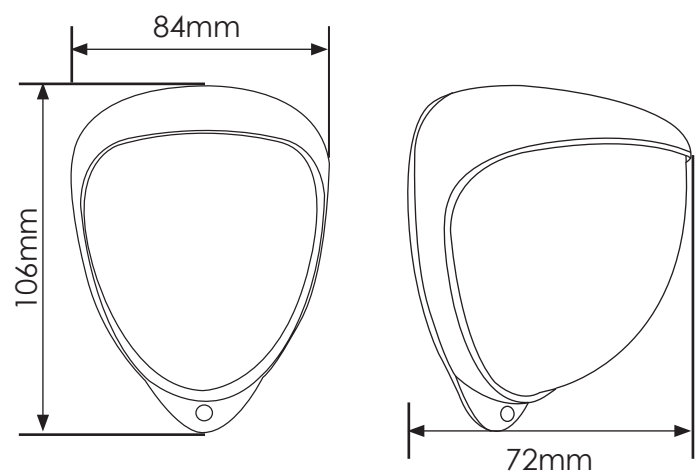
Robust, waterproof housing

Programmable beam range

High immunity to triggers from the sun, clouds, reflections and shadows

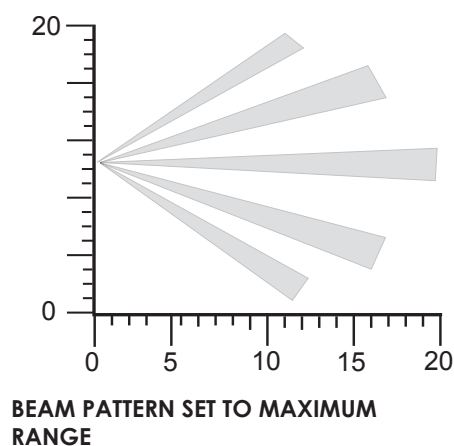
Aesthetically pleasing design

### DIMENSIONS

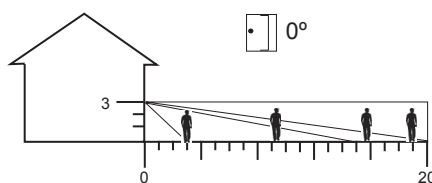


RANGE	10m, 15m, 20m programmable
COVERAGE	10° - 70° detection angle, 20m x 30m max
ADJUSTMENT	180° pan + 90° tilt
MOUNTING HEIGHT	Up to 4m - Optimum 3m
FRESNEL LENS	20 zones for each Pyro pair
CUSTOMISED OPTICS	Double silicon shielded quad element eliminates 50,000 Lux of white light
INDICATORS	1 x LED on detection (configurable on/off)
OUTPUTS	1 x N/C, 1 x N/O volt free silent solid state magnetically immune 1 x common front and rear tamper N/C
POWER INPUT	9 to 15 VDC
CURRENT	8 mA (12V nominal)
PULSE COUNT	1-2
WALK TEST	Using LED indicator
OPERATING TEMP	-20°C to +5 5°C conformally coated electronics
TEMP. COMPENSATION	Thermistor controlled with digital sensitivity adjustment
HOUSING	UV stabilized high impact ABS plastic
PROTECTION RATING	Minimum IP 55
DIMENSIONS	84 x 106 x 72 mm
WEIGHT	95.8g
CABLE <500M	Recommend 8 core 16/0.2mm

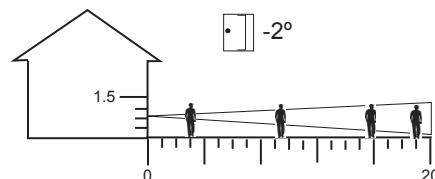
## BEAM PATTERN



**OPTIMUM**



**PET ALLEY**



**CURTAIN**

