



IPAnything Module

I/O Controller designed for IP surveillance systems. The GJD IPA is a simple yet powerful I/O controller which quickly converts any type of alarm sensor to an IP sensor.

The IPA has a 12V/24V DC socket to power the sensor and four digital alarm inputs. Each input can be used to create network alarms directly to VMS, IP cameras or other network devices.

PRODUCT CODES

GJD516 IPAnything Module

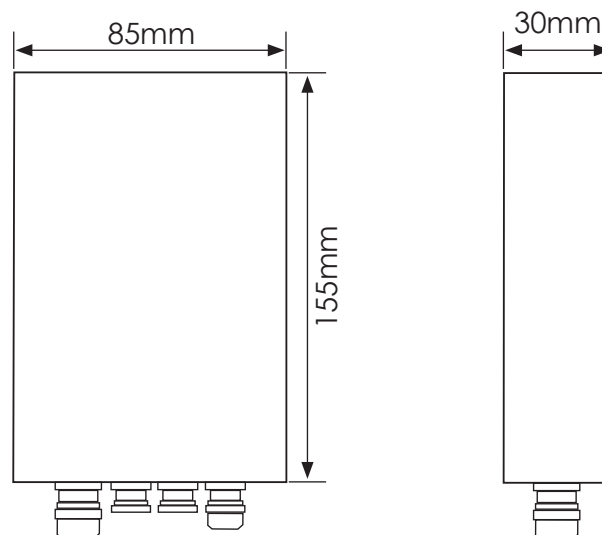
UNIQUE FEATURES

- Power over Ethernet
- Convert input signals to IP alarms
- Integrate alarms with VMS or control cameras directly
- 12V/24V DC output for powering external units
- Network controlled relay outputs

END USER BENEFITS

- Allows analogue systems to be updated to IP
- Intuitive and powerful web based user interface
- Modern design
- Heavy duty waterproof housing

DIMENSIONS



SECTORS



RESIDENTIAL



COMMERCIAL



INDUSTRIEL



BORDERS



MILITARY BASES



PORTS



POWER PLANTS



HERITAGE



AIRPORTS



PRISONS

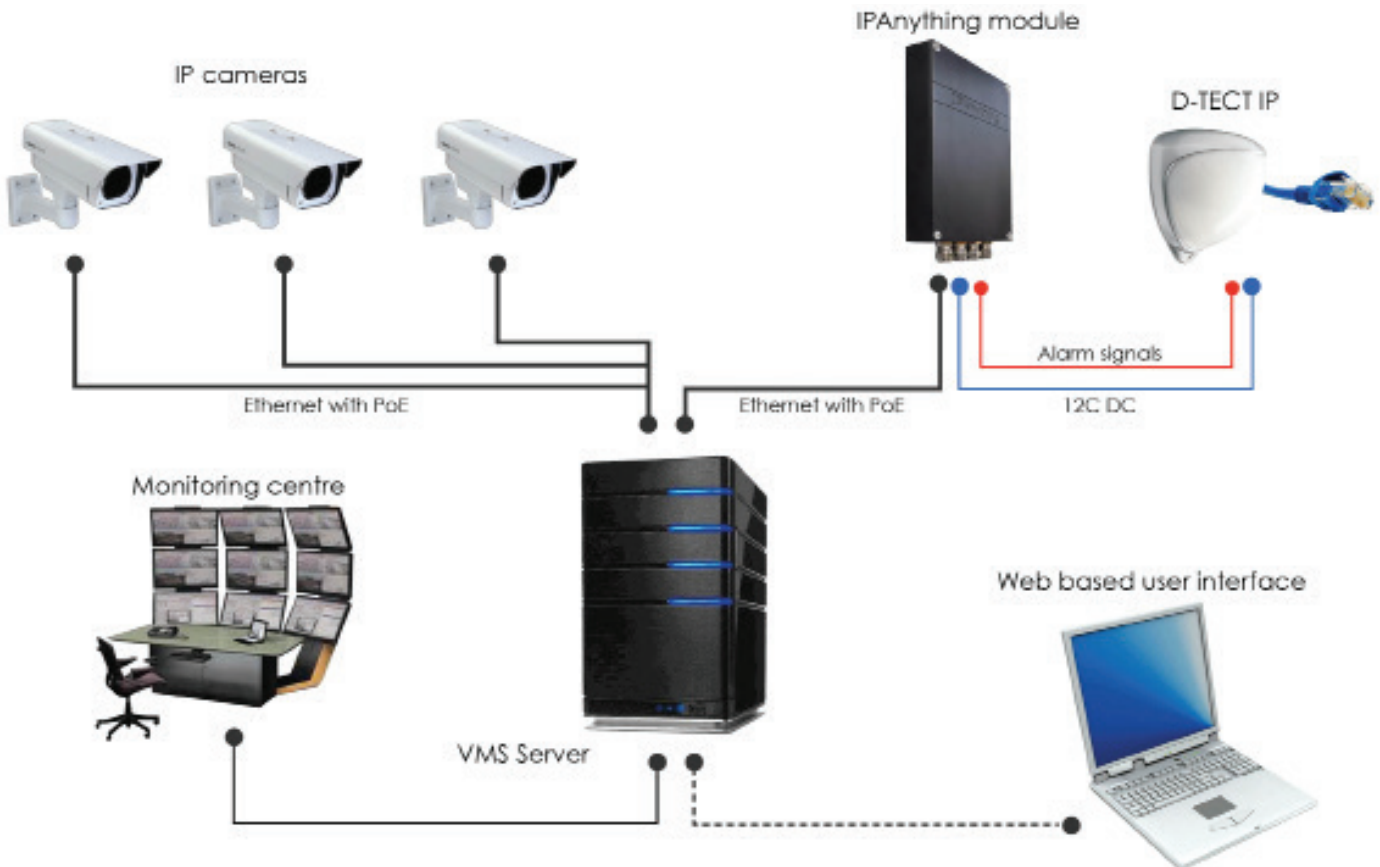
TECHNICAL SPECIFICATIONS

SPECIFICATIONS

DIGITAL INPUT	4 x digital inputs, high / low / rising edge / falling edge / frequency counting
ANALOG INPUT	1 x 4-20 mA or 0-10V
ALARM OUTPUT	3 x relay. Max 30V, 200mA. N/C and N/O
POWER OUTPUT	1 x 12V DC, max 1A or 24V DC, max 0.5A
NETWORK ALARMS	User configurable HTTP web requests
POWER SUPPLY	Power over Ethernet (48V DC)
POWER CONSUMPTION	Max 12W, PoE class 3
OPERATING TEMPERATURE	- 30°C to + 60°C
INTERFACE	Ethernet IEEE 802.3af, TCP/IP. Web browser user interface
MOUNTING	4 x M6 (80 x 155mm), DIN-rail or mounting screws
ENCLOSURE RATING	IP66
COLOUR	Black
WEIGHT	0.6Kg

ELECTRICAL SPECIFICATIONS

DIGITAL INPUT	12VDC, max 1A or 24VDC, max 0.5 A. Short circuit protection.
ANALOG INPUT	0-10V: Accuracy: +/- 25 mV, 12-bit resolution. 4-20 mA: Accuracy: +/- 0.05 mA, 12-bit resolution. Choose input type with DIP-switch.
DIGITAL INPUT	Max 24V. Low signal voltage: 0-1V. High signal voltage: 5-24V. Current typ. 4.4 mA @ 24V. Frequency counting: 0.2 Hz-2.5 kHz. Frequency accuracy <1%.
DIGITAL OUTPUT	Relay, max 30V, 200 mA. N/C and N/O.



Please note GJD reserve the right to change the information within this document, without notice.



www.gjd.co.uk | info@gjd.co.uk | +44 (0) 1706 363 998

Unit 2 Birch Business Park, Whittle Lane, Heywood, Greater Manchester, OL10 2SX, UK