



## GSM COMMUNICATOR Dialler

The GSM speech and text communicator provides a simple yet effective solution to all of your security equipment notification needs.

Once triggered the GSM speech and text communicator automatically sends a voice or text message to one of nine designated, pre-programmed telephone numbers, providing a fast and reliable warning, ensuring total peace of mind.

Six inputs allow connection to intruder detection alarm panels, nurse call devices, gas and flood sensors. The additional four outputs can be linked to other associated equipment including strobe, siren or sounder.

### PRODUCT CODE

**GJD710** GSM Autodialler

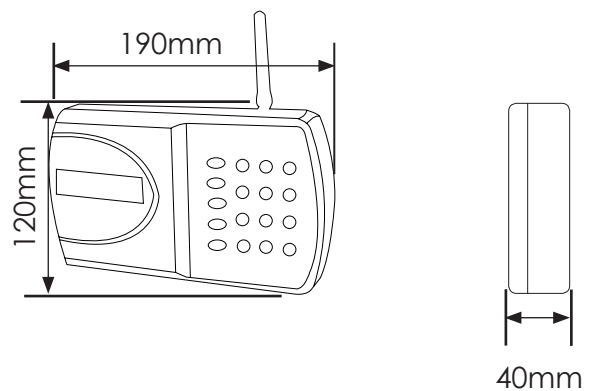
#### UNIQUE FEATURES

- Programmable voice messages
- Programmable inputs
- Built-in microphone
- Battery back up
- Dialler outputs can be programmed
- Back-lit LCD shows text in eight languages

#### END USER BENEFITS

- 9 programmable dial-out numbers
- Pay-as-you go SIM low credit alert
- Users can activate outputs remotely via dial

#### DIMENSIONS



Please note GJD reserve the right to change the information within this document, without notice.

[www.gjd.co.uk](http://www.gjd.co.uk) | [info@gjd.co.uk](mailto:info@gjd.co.uk) | +44 (0) 1706 363 998

Unit 2 Birch Business Park, Whittle Lane, Heywood, Greater Manchester, OL10 2SX, UK

DS710-10-05-15