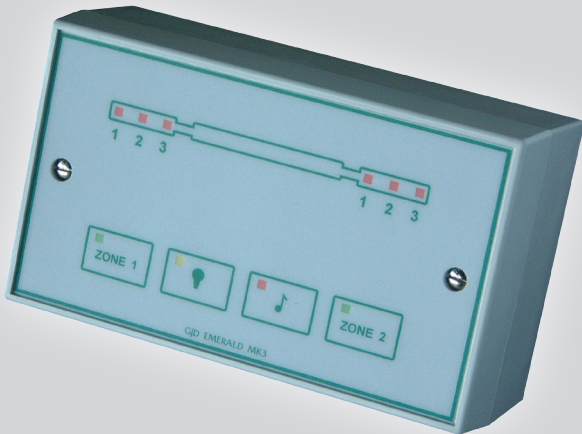




Emerald 3000 Mk3 Lighting Controller



A stand alone dual area security lighting controller which enables external areas to be accurately monitored and illuminated.

Automatically switches up to 3000 Watts of lighting at night for a pre-set period and can be manually overridden when required.

Incorporates an audible warning tone and features six detector indicators, which illuminate when activated by detection day and night.

PRODUCT CODES

GJD010 Emerald 3000 MK3

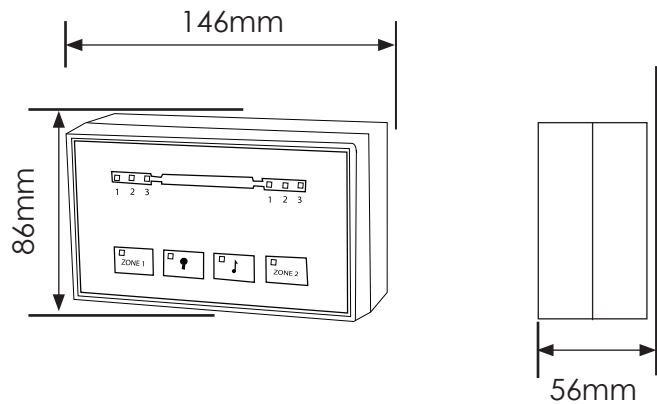
UNIQUE FEATURES

- Six detector indicators
- 3000 Watts of lighting load
- At dusk, detector activated automatic lighting for timed period
- Selectable audible beep on detection
- Manual override of lights
- Links to an alarm system to activate all lights if alarm sounds

END USER BENEFITS

- Accurately monitor areas 24 hours a day
- Cost efficient
- Quick to install
- Easy to operate

DIMENSIONS



SECTORS



RESIDENTIAL



COMMERCIAL



INDUSTRIAL



BORDERS



MILITARY BASES



PORTS



POWER PLANTS



HERITAGE



AIRPORTS



PRISONS

Please note GJD reserve the right to change the information within this document, without notice.

www.gjd.co.uk | info@gjd.co.uk | +44 (0) 1706 363 998

Unit 2 Birch Business Park, Whittle Lane, Heywood, Greater Manchester, OL10 2SX, UK

DS010-10-05-15

