



## D-TECT X Universal Motion Detector

The Universal Wireless Detector is a battery powered outdoor motion detector designed to integrate with third-party wireless modules. It uses two independent passive infra-red detectors, both of which must trigger to cause the detector to signal an alarm.

Utilising quad PIR technology, the Universal Wireless PIR delivers precise, reliable presence detection.

The detector is a battery powered device with three independent negative outputs to connect to third party transmitter modules.

### PRODUCT CODE

**GJD630** Universal Detector

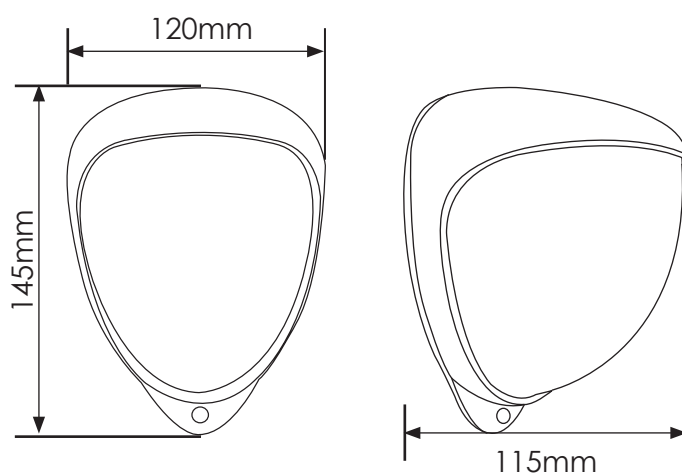
#### UNIQUE FEATURES

Robust high impact ABS plastic housing  
HDPE cover  
UV stabilised  
Covert electronics

#### END USER BENEFITS

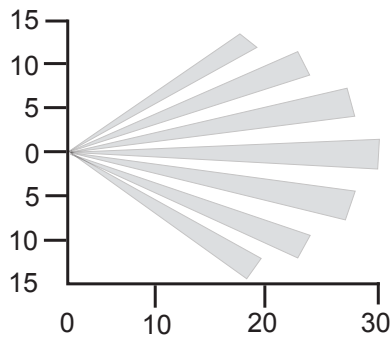
Modern design  
Exceptional resistance to false alarms  
Easy to install and highly cost effective  
Low power consumption  
Aesthetically pleasing design  
Works with most third-party TX modules

#### DIMENSIONS



DETECTION RANGE	Programmable: 10 m, 20 m or 30 m
COVERAGE	10° to 70° detection angle, 30 x 24 m coverage max.
ADJUSTMENT	180° pan, 90° tilt
FRESNEL LENS	28 zones for each detection element, which can be masked with the curtain sliders
CUSTOMISED OPTICS	Double silicon shielded quad element eliminates 50,000 lux of white light
LED	Detector alarm / Programming
BATTERIES	2 X 3 V CR123
CURRENT	20 µA without transmitter
OUTPUTS	3 x negative switching max 25 mA.
PULSE COUNT	1 or 2
CONTROL	Digital microprocessor with non-volatile memory
WALK TEST	Output test mode with LED indication
OPERATING TEMPERATURE	-20 to +55°C
HOUSING	High impact ABS plastic with HDPE cover, UV stabilised
PROTECTION RATING	IP65
DIMENSIONS	145 x 120 x 155
WEIGHT	363g net, 575g gross excluding transmitter and batteries
MOUNTING HEIGHT	Variable - optimum height 3m for full range

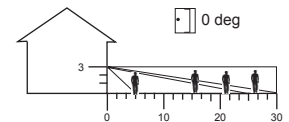
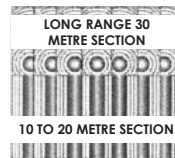
## BEAM COVERAGE



BEAM PATTERN SET TO  
MAXIMUM RANGE

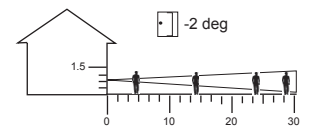
### MULTI-BEAM OPTIMUM

HEIGHT 3 METRES  
RANGE MAXIMUM  
MODULE TILT 0 DEGREE



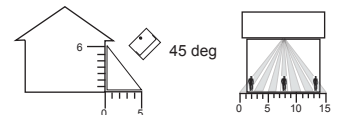
### PET IMMUNITY

HEIGHT 1.5 METRES  
RANGE MAXIMUM  
MODULE TILT -2 DEGREE



### CURTAIN COVERAGE

HEIGHT 6 METRES  
RANGE MAXIMUM  
MODULE TILT 45 DEGREE



Please note GJD reserve the right to change the information within this document, without notice.