



PRODUCT CODES

GJD1030 30m Inovonics® Wireless Detector

GJD1040 40m Inovonics® Wireless Detector

UNIQUE FEATURES

- Adjustable pan and tilt
- Available in a range of beam lengths
- Selectable sensitivity settings
- Twin PIRs
- Compatible with Inovonics monitoring

END USER BENEFITS

- Modern design
- Exceptional resistance to false alarms
- Easy to install
- Highly cost effective

D-TECT Inovonics® Enabled

D-TECT Inovonics utilise quad pyro detection where both sensors must trigger to cause the detector to signal an alarm, ensuring precise and reliable presence detection.

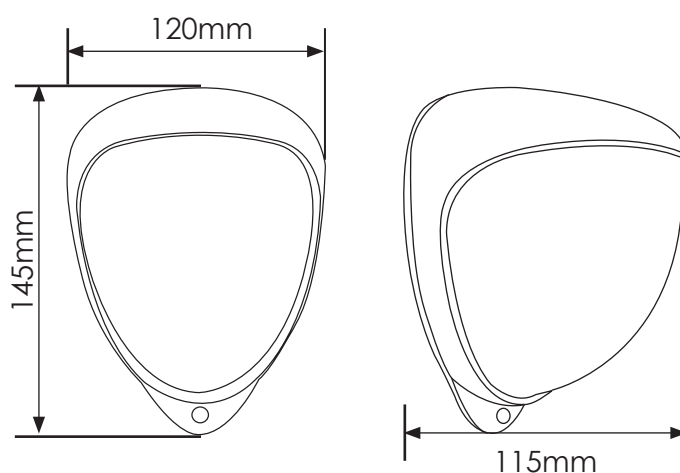
Programmable options include a variable pulse count and a choice of detection ranges up to 40m.

The dual-axis tilt sensor allows 180° of pan and 90° of tilt, this increases the speed of the outdoor installation and provides accurate aiming of the detection pattern.

Precision electronics, digital white light filtering and double shielding significantly reduces false alarms from the sun.

The detector housing has an attractive, professional appearance with the sensing module hidden behind the front cover.

DIMENSIONS



SECTORS



RESIDENTIAL



COMMERCIAL



INDUSTRIAL



BORDERS



MILITARY BASES



PORTS



POWER PLANTS



HERITAGE



AIRPORTS



PRISONS

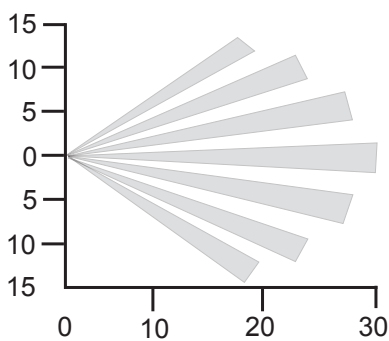
Specifications	
Detection Range	Programmable: 10, 20 or 30m
Coverage	10 to 70° detection angle, 30 x 25m coverage max
Adjustment	180° pan. 90° tilt
Fresnel lens	28 zones for each detection element, which can be masked with the curtain sliders
Optics	Double silicon shielded quad element eliminates 50,000 Lux of white light
LED	Red alarm
Batteries	*2 x 3 V CR123
Current	30 µA
Pulse count	1 or 2
Control	Digital micro, with non-volatile memory
Walk test	Output test mode with LED indication
Operating Temperature	-25° to 55°C
Housing	High impact ABS plastic with HDPE cover, UV stabilised
Dimensions W x H x D	145 x 145 x 120mm
Weight	268g NET, 425g GROSS
Mounting Height	Variable up to 6m, Optimum height 3m

The D-TECT Inovonics MUST be learnt to the control panel/receiver BEFORE it is mounted in its final location.

*Batteries not included



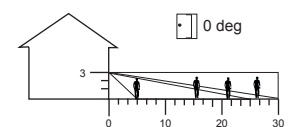
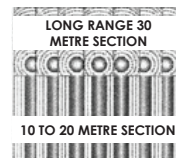
BEAM PATTERNS GJD1030



BEAM PATTERN SET TO MAXIMUM RANGE

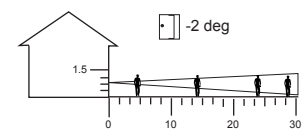
MULTI-BEAM OPTIMUM

HEIGHT 3 METRES
 RANGE MAXIMUM
 MODULE TILT 0 DEGREE



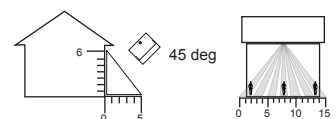
PET IMMUNITY

HEIGHT 1.5 METRES
 RANGE MAXIMUM
 MODULE TILT -2 DEGREE



CURTAIN COVERAGE

HEIGHT 6 METRES
 RANGE MAXIMUM
 MODULE TILT 45 DEGREE



Please note GJD reserve the right to change the information within this document, without notice.

