



D-TECT Dual HT Motion Detector

The D-TECT Dual HT is a BS 8418 compliant, PIR/microwave external movement detector, designed for use in hot and humid climates. It can be used for intruder monitoring, CCTV surveillance and other perimeter pre-alarm applications.

The detector's dual technology sensing module is equipped with one n/o and one n/c volt-free contact with a programmable beam range up to 20 metres, avoiding boundary overspill and offering truly exceptional resistance to false alarms.

PRODUCT CODES

GJD362 Dual Tech HT 10.525GHz ABS Housing

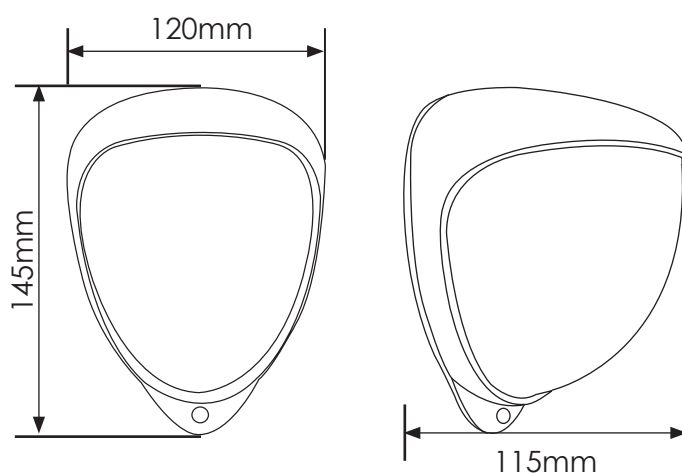
UNIQUE FEATURES

- Selectable detection range
- Adjustable pan and tilt
- Conduit cable adaptor available
- Covert sensor module

END USER BENEFITS

- Modern design
- Exceptional resistant to false alarms
- Easy to install and highly cost effective
- Robust Zinc alloy metal housing

DIMENSIONS



TECHNICAL SPECIFICATIONS

ACCESSORIES

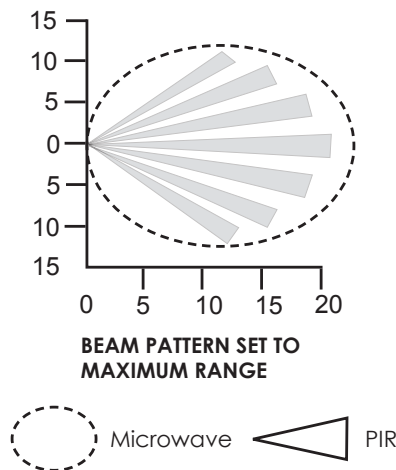
GJD304	Conduit Adaptor
GJD305	Pole Mount Bracket
GJD308	'D-Guard' Anti Vandal Cage
GJD380	Walk Tester

AVAILABLE IN THE FOLLOWING APPROVED FREQUENCY CODES

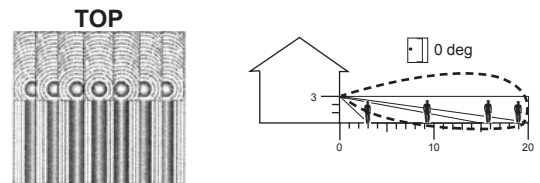
10.587GHz **UK**
 10.525GHz
 10.41GHz
 9.9GHz
 9.35GHz

RANGE	10m or 20m. DIP switch selectable
COVERAGE	10° - 70° detection angle, 20m x 20m max
ADJUSTMENT	180° pan + 90° tilt
MOUNTING HEIGHT VARIABLE	Up to 6m - Optimum 3m
FRESNEL LENS	28 zones for each Pyro pair, which can be masked with the curtain sliders
CUSTOMISED OPTICS	Double silicon shielded dual element eliminates 50,000 Lux of white light
INDICATORS	3 x LEDs Green - microwave, Red - PIR, Blue - alarm output
MICROWAVE FREQUENCY	Country dependent, refer to approved frequency codes
OUTPUTS	2 x volt-free, silent solid state magnetically immune contacts 1 x normally open - 1 x normally closed Common normally closed front and rear tamper
POWER INPUT	9-15 VDC
CURRENT	15 mA (12V nominal)
PULSE COUNT	1-2
WALK TEST	Output test mode with LED indication
OPERATING TEMP	-20°C to +55°C Conformally coated electronics for increased stability
TEMP. COMPENSATION	Digital sensitivity adjustment, thermistor controlled
HOUSING	High impact zinc alloy
PROTECTION RATING	IP65
DIMENSIONS	145 x 120 x 115 mm
WEIGHT	770g NET, 910g GROSS
CABLE <200M	Utilising all 3 outputs (incl. tamper) - 8 core 7/0.2mm
CABLE <500M	Utilising all 3 outputs (incl. tamper) - 8 core 16/0.2mm

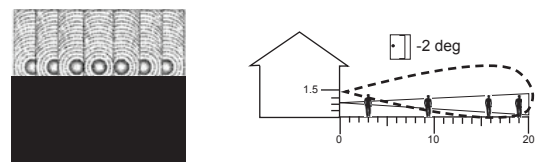
BEAM COVERAGE



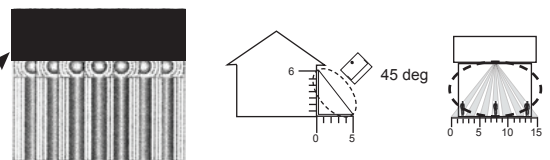
MULTI-BEAM OPTIMUM
 HEIGHT 3 METRES
 RANGE 20m MAXIMUM
 MODULE TILT 0 DEGREE



PET IMMUNITY
 HEIGHT 1.5 METRES
 RANGE 20m MAXIMUM
 MODULE TILT -2 DEGREE



CURTAIN COVERAGE
 HEIGHT 6 METRES
 RANGE 5m MAXIMUM
 MODULE TILT 45 DEGREE



Please note GJD reserve the right to change the information within this document, without notice.



www.gjd.co.uk | info@gjd.co.uk | +44 (0) 1706 363 998

Unit 2 Birch Business Park, Whittle Lane, Heywood, Greater Manchester, OL10 2SX, UK

DS362-10-05-15