



D-TECT DUAL A-M Anti-Masking Motion Detector

The Dual Tech A-M is a BS8418 compliant, PIR/microwave external movement detector with anti-masking sensing, which can be used for intruder monitoring, CCTV surveillance and other alarm warning requirements.

The detector's dual technology anti-mask sensing module is equipped with one N/O and one N/C volt-free contact with a programmable beam range of up to 30 metres, avoiding boundary overspill and offering truly exceptional resistance to false alarms.

No other movement detectors are more versatile or offer such a wide range of features to enhance the detection of threats and significantly reduce the incidence of false alarms.

PRODUCT CODES

GJD360/A-M Anti-Mask dual tech

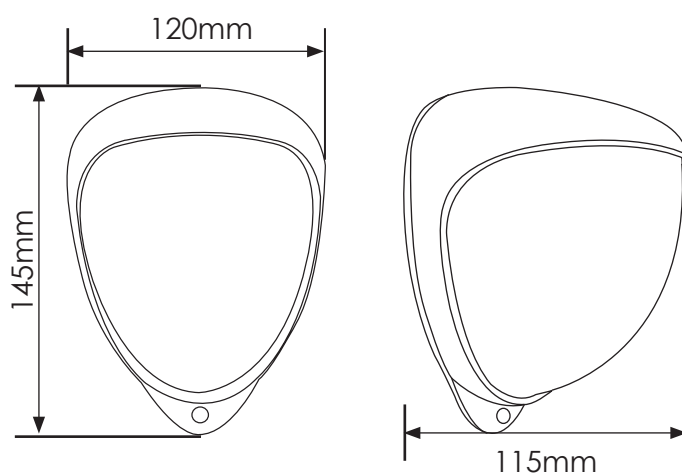
UNIQUE FEATURES

- Active infra-red sensor system to prevent mask tampering
- Adjustable 180° pan and 90° tilt
- Conduit adaptor available
- Programmable range up to 30m
- Covert sensor module

END USER BENEFITS

- Modern design
- Exceptional resistance to false alarms
- Robust IP55 rated zinc alloy metal housing
- Superior triple technology protection

DIMENSIONS



SECTORS



RESIDENTIAL



COMMERCIAL



INDUSTRIAL



BORDERS



MILITARY BASES



PORTS



POWER PLANTS



HERITAGE



AIRPORTS



PRISONS

ACCESSORIES

GJD304	Conduit Adaptor
GJD305	Pole Mount Bracket
GJD380	Walk Tester

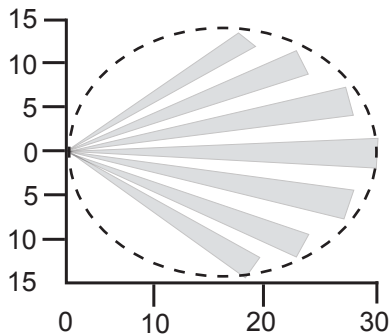
AVAILABLE IN THE FOLLOWING APPROVED FREQUENCY CODES

D-TECT Dual is a country specific detector as it includes a microwave. For more information please email info@gjd.co.uk

10.587GHz
 10.525GHz
 10.41GHz
 9.9GHz
 9.35GHz

Zinc alloy housing available in silver, chrome, white or black

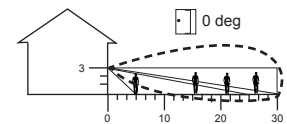
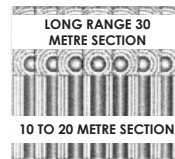
BEAM COVERAGE



BEAM PATTERN SET TO MAXIMUM RANGE

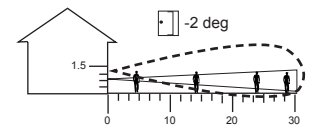
MULTI-BEAM OPTIMUM

HEIGHT 3 METRES
 RANGE MAXIMUM
 MODULE TILT 0 DEGREE



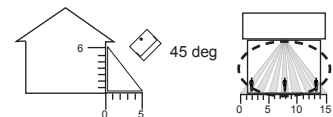
PET IMMUNITY

HEIGHT 1.5 METRES
 RANGE MAXIMUM
 MODULE TILT -2 DEGREE



CURTAIN COVERAGE

HEIGHT 6 METRES
 RANGE MAXIMUM
 MODULE TILT 45 DEGREE



RANGE	10m, 20m or 30m programmable
COVERAGE	10° - 70° detection angle, 30m x 30m max
ADJUSTMENT	180° pan + 90° tilt
MOUNTING HEIGHT	Variable - optimum 3m
FRESNEL LENS	28 zones for each Pyro pair which can be masked with the curtain sliders
CUSTOMISED OPTICS	Double silicon shielded quad elements eliminates 50,000 lux of white-light
INDICATORS	Selectable 3 x LEDs Green-microwave, Red-both PIRs, Blue-alarm output
MICROWAVE FREQUENCY	Country dependent
OUTPUTS	3 x volt-free, silent solid state magnetically immune contacts: 1 x normally open alarm, 1 x normally closed alarm, 1 x normally closed anti-masking Common normally closed front and rear tamper
POWER INPUT	9 to 15 VDC
CURRENT	30mA (12V nominal)
PULSE COUNT	1-2
WALK TEST	Output test mode with LED indication
OPERATING TEMP	-20°C to +55°C Conformally coated electronics for increased stability
TEMP. COMPENSATION	Digital sensitivity adjustment
HOUSING	High impact zinc housing
PROTECTION RATING	Minimum IP55
DIMENSIONS	145 x 120 x 115mm
WEIGHT	750g NET, 880g GROSS
CABLE <200M	Utilising all four outputs (incl. tamper) 12 core 7/0.2mm
CABLE <500M	Utilising all 4 outputs (incl. tamper) 12 core 16/0.2mm

Please note GJD reserve the right to change the information within this document, without notice.

