



D-TECT 40 Motion Detector

GJD's D-TECT 40, BS8418 compliant movement detectors combine advanced signal processing and unique optical systems, which allow for the detection range to be programmed from 20-40 metres, avoiding boundary overspill.

The D-TECT 40 motion detector is particularly effective for perimeter detection and offers truly exceptional resistance to false alarms.

PRODUCT CODES

GJD340 Quad PIR silver

GJD340ABS Quad PIR silver plastic housing

GJD340D Quad PIR black housing burgundy cover*

UNIQUE FEATURES

Programmable detection beam range up to 40m

Adjustable pan and tilt

Engineer friendly features to ease cable terminations, set-up and servicing

Covert sensor module

END USER BENEFITS

Exceptional resistance to false alarms

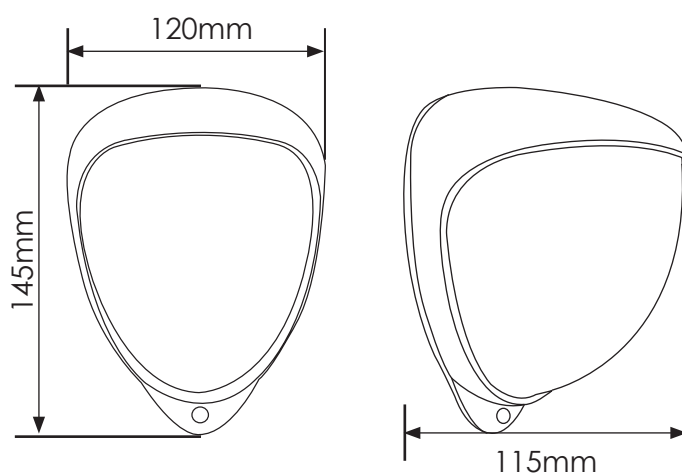
Easy to install and highly cost effective

Robust zinc alloy metal housing

Field of view Fresnel lens options

Aesthetically pleasing designs

DIMENSIONS



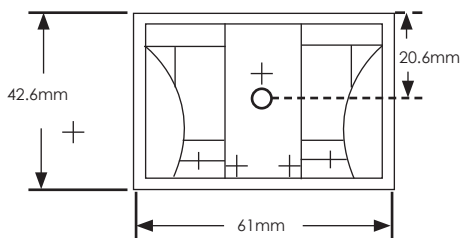
ACCESSORIES

GJD304	Conduit Adaptor
GJD305	Pole Mount Bracket
GJD308	'D-Guard' Anti Vandal Cage
GJD380	Walk Tester

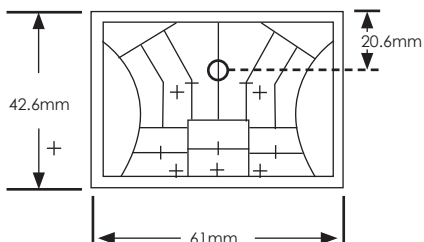
DETECTION AREA	Programmable between 20-40 metres
COVERAGE	Two Fresnel lenses 40m x 4m or 40m x 8m
ADJUSTMENT	180° pan & 90° tilt
MOUNTING HEIGHT VARIABLE	Up to 4m - Optimum 3m
FRESNEL LENS	4 or 12 zones for each Pyro pair
CUSTOMISED OPTICS	Double silicon shielded quad element eliminates 50,000 Lux of white light
INDICATORS	1 x Blue LED on detection (configurable on/off)
OUTPUTS	2 x volt-free, silent solid state magnetically immune 2 x neg.switched plus one common tamper (front and rear switches)
TAMPER SWITCHES	Front and rear tamper switches, case open and removal from wall
END OF LINE RESISTANCE (EOL)	Selectable from 1K, 2K2, 3K3, 4K7, 5K6, 6K8
POWER INPUT	9-24V AC/DC
CURRENT	9mA (12V nominal)
PULSE COUNT	1 - 2
WALK TEST	Output test mode with LED indication
OPERATING TEMP	-20°C to +55° conformally coated electronics for increased stability
TEMP. COMPENSATION	Digital sensitivity adjustment
TIMER OPTIONS	2 to 60 seconds
LIGHT SENSING	Dusk (2 Lux) to 24 hour
HOUSING	High impact zinc alloy
PROTECTION RATING	IP65
DIMENSIONS	145 x 120 x 115 mm
WEIGHT	750g NET, 880g GROSS
CABLE <200M	Utilising all five outputs (incl. tamper) - 12 core 7/0.2mm
CABLE <500M	Utilising all five outputs (incl. tamper) - 12 core 16/0.2mm

BEAM COVERAGE

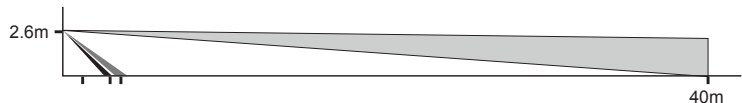
FRONT VIEW LENS - 40m x 4m



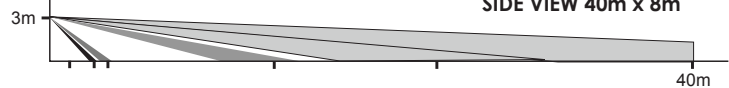
FRONT VIEW LENS - 40m x 8m



SIDE VIEW 40m x 4m



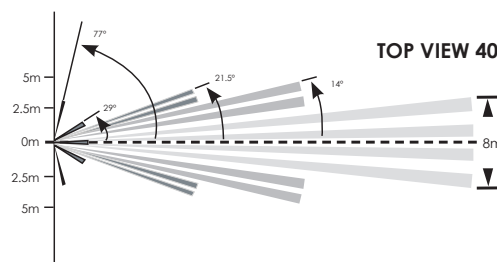
SIDE VIEW 40m x 8m



TOP VIEW 40m x 4m



TOP VIEW 40m x 8m



Please note GJD reserve the right to change the information within this document, without notice.

