



D-TECT I Motion Detector

The D-TECT 1 is a BS8418 compliant, highly cost-effective twin PIR external movement detector, which can be used to control cameras, connect to alarm panels and other alarm warning devices. It is equipped with a pan and tilt dual infra-red scanner with two volt-free relay outputs, - programmable beam ranges of 10, 20 and 30 metres.

No other movement detectors are more versatile or offer such a wide range of features to enhance the detection of threats and significantly reduce the incidence of false alarms.

The D-TECT range sets new standards of performance and control

*D-TECT 1 is not available in the United Kingdom

PRODUCT CODES

GJD110 D-TECT 1 Motion detector silver housing

GJD110W D-TECT 1 Motion detector white housing

GJD115 D-TECT 1 Plastic silver housing

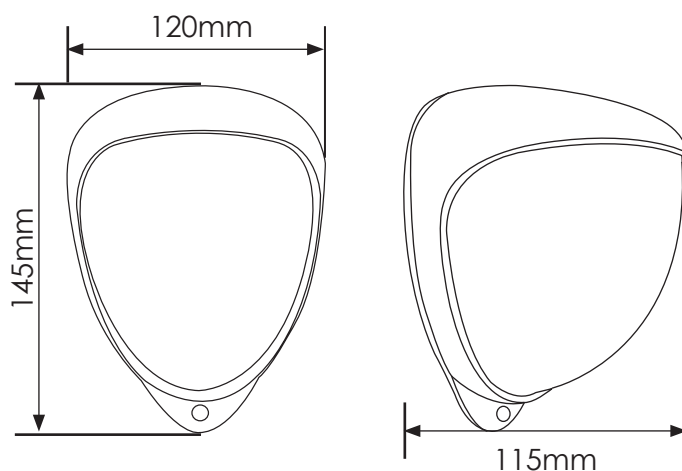
UNIQUE FEATURES

Adjustable pan and tilt
 Selectable range settings
 Covert sensor module

END USER BENEFITS

Modern design
 Exceptional resistance to false alarms
 Easy to install and highly cost effective

DIMENSIONS

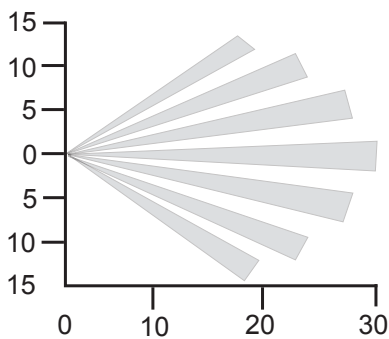


ACCESSORIES

GJD304	Conduit Adaptor
GJD308	"D-Guard" Anti-Vandal Cage
GJD380	Walk Tester
GJD305	Pole Mount Bracket

RANGE	10m, 20m or 30m programmable
COVERAGE	10° - 70° detection angle, 30m x 30m max
ADJUSTMENT	180° pan + 90° tilt
MOUNTING HEIGHT	Up to 6m - Optimum 3m
FRESNEL LENS	28 zones for each Pyro pair
CUSTOMISED OPTICS	Double silicon shielded quad element eliminates 50,000 LUX of white light
INDICATORS	1 x Blue LED on detection (configurable on/off)
OUTPUTS	2 x volt-free, silent solid state magnetically immune contacts
POWER INPUT	9-15 VDC
CURRENT	8 mA (12V nominal)
PULSE COUNT	1-2
WALK TEST	Output test mode with LED indication
OPERATING TEMP	-20°C to +55°C conformally coated electronics for increased stability
TEMP. COMPENSATION	Digital sensitivity adjustment
HOUSING	High impact zinc alloy
PROTECTION RATING	IP65
DIMENSIONS	145 x 120 x 115 mm
WEIGHT	740g NET, 870g GROSS
CABLE <200M	Utilising all 3 outputs (incl. tamper) - 8 core 7/0.2mm
CABLE <500M	Utilising all 3 outputs (incl. tamper) - 8 core 16/0.2mm

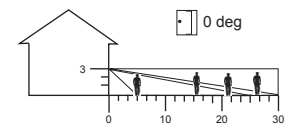
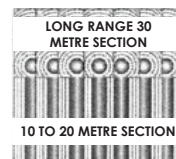
BEAM PATTERNS



BEAM PATTERNS SET TO MAXIMUM RANGE

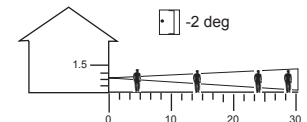
MULTI-BEAM OPTIMUM

HEIGHT 3 METRES
RANGE MAXIMUM
MODULE TILT 0 DEGREE



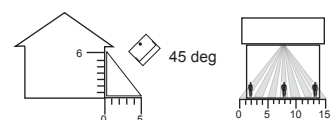
PET IMMUNITY

HEIGHT 1.5 METRES
RANGE MAXIMUM
MODULE TILT -2 DEGREE



CURTAIN COVERAGE

HEIGHT 6 METRES
RANGE MAXIMUM
MODULE TILT 45 DEGREE



Please note GJD reserve the right to change the information within this document, without notice.