

Clarius®

Clarius® PLUS Duo VL2

The **Clarius® DUO PLUS** range of high performance White Light illuminators are designed to provide class leading performance, long life and ultra low maintenance.

Incorporating the latest ultra high power surface mount LED's with enhanced optical output and outstanding reliability, they deliver excellent night time images.

The adjustable angle feature allows the user to alter the angle of illumination to match the cameras field of view.

All Clarius Duo Illuminators are supplied with a dedicated universal input switched more power supply with integrated photocell. Control features include power and photocell adjust, telemetry and following contacts.

The **Clarius® DUO PLUS** range of illuminators includes a new interchangeable lens diffuser system; which allows the user to quickly and easily alter the angle of illumination. Elliptical beam profiles allow more light to be delivered where it is needed, allowing both longer distances and minimising light wastage. The system also helps to prevent overexposure of foreground objects.

As standard the illuminator includes interchangeable lensing to deliver 10° circular, 20°, 30°, 60°, 80° & 95° elliptical beam profiles.

PRODUCT FEATURES

- Distanced up to 195m (639ft)
- Latest Ultra High Power SMT LED™ Technology
- Adjustable Angles
- Dedicated Intelligent Switch Mode PSU
- Low Power Consumption
- IP66 Weather Proof Rating
- **CleanLITE®** Self Cleaning Lens Coating Technology
- Long Life
- Angle 10°, 20°, 30°, 60°, 80° & 95°
- Elliptical Beam Profiles



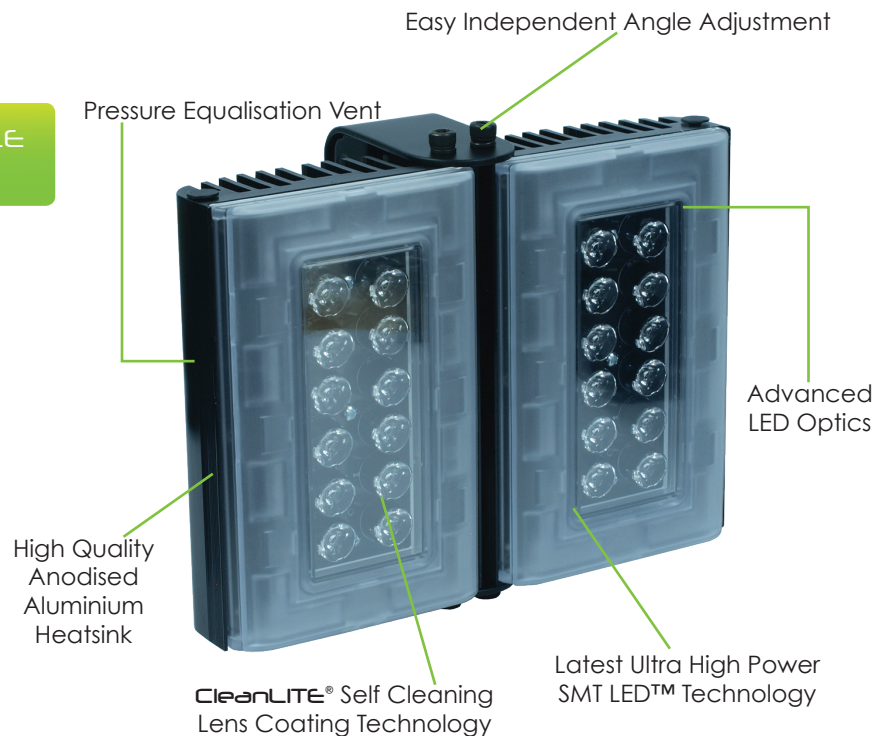
INTERCHANGEABLE DIFFUSER LENS

ADJUSTABLE ANGLES



Narrow Angle

Wide Angle



Easy Independent Angle Adjustment

Pressure Equalisation Vent

Advanced LED Optics

High Quality Anodised Aluminium Heatsink

CleanLITE® Self Cleaning Lens Coating Technology

Latest Ultra High Power SMT LED™ Technology

SECTORS



RESIDENTIAL



COMMERCIAL



INDUSTRIAL



BORDERS



MILITARY BASES



PORTS



POWER PLANTS



HERITAGE



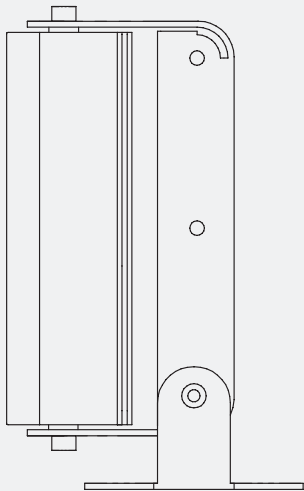
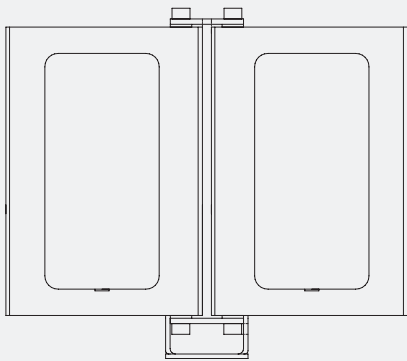
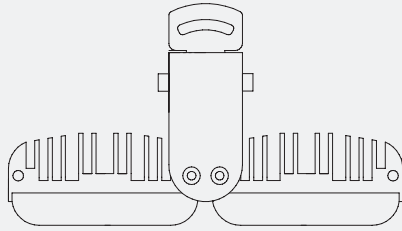
AIRPORTS



PRISONS

Product Code	Angle	Narrow		Wide	
VL2-CW	10° - Circular	195m	639'	34m	112'
	20° - Elliptical	130m	426'	46m	150'
	30° - Elliptical	114m	373'	61m	200'
	60° - Elliptical	81m	266'	94m	307'
	80° - Elliptical	65m	213'	109m	357'
	95° - Elliptical	49m	160'	106m	349'

TECHNICAL SPECIFICATIONS



ILLUMINATOR

Max Distance	Up to 195m (639ft)
Angle	Various (see above)
Construction	Robust High Quality Aluminium Extrusion
Finish	Black Anodised
Front Window	Polycarbonate High Transmission With CleanLITE® Technology
Illuminator Cable Optics	3m (9ft) Latest Ultra High Power SMT LED Technology
Pressure Vents	Prevents Thermal Expansion & Pressure Cycling
Temperature	-50° to 50°C (-58° to 122°F)
Dimensions	223 x 180 x 90mm (8.8" x 7" x 3.5")
Weight	2.7Kg (6lb)

BRACKETRY

Powder Coated Stainless Steel Wall Mount included

Other Bracket Options Available

POWER SUPPLY

Input	100-240V AC (Auto Sensing)
Output	Constant Current 65W Max
Temperature	-40° to 50°C (-40° to 122°F)
Dimensions	190 x 190 x 93mm (7.5" x 7.5" x 3.6")
Weight	1.4Kg (3lb)

POWER SUPPLY FEATURES

Adjustable Power Output
Adjustable Photocell
Remote Telemetry Control
Photocell Following Contact
Intelligent Photocell Light Sensing Circuit
Status LED
100% Switch Mode Design for High Efficiency Cool Running

CERTIFICATION

Safety	EN60598;2004 Electrical Safety / EN60825-1 Laser Eye Safety
IP	EN60950-1;2006+ A1;2010 + A2;2012 Low Voltage 2006/95.EC
EMC	Illuminator IP67 / PSU IP66 In Accordance With EN60529;1999
WEEE	EN50130-4; 1995 + A2;2003 / EN61000-6-3;2007 + A1:2011
RoHS	Waste Electrical & Electrical Equipment European Directive 2002/96/EC Restriction of Hazardous Substances European Directive 2002/95/EC



CLARIUS® DUO
INTELLIGENT PSU

Please note GJD reserve the right to change the information within this document, without notice. **DSVL2+-31-08-15**

www.gjd.co.uk | info@gjd.co.uk | +44 (0) 1706 363 998

Unit 2 Birch Business Park, Whittle Lane, Greater Manchester, Lancashire, OL10 2SX

