

Clarius®

Clarius® EP PLUS

Infra Red LED Hazardous Area Floodlight

The Clarius EP Plus series of ATEX and IECEx approved explosion protected Infra Red illuminators have been specifically designed for hazardous environments which require high performance night time illumination.

Clarius EP Plus illuminators are supplied in a marine grade aluminium housing with toughened polycarbonate front window and are rated for all Zone 1 and Zone 2 applications.

The Clarius EP Plus series Infra Red illuminators provide class leading performance, long life and ultra low maintenance. They incorporate the very latest surface mount LEDs to deliver excellent night-time pictures with improved optical output and outstanding reliability.

Each unit is fitted with an integrated control circuit to carefully control LED output, delivering consistent illumination and projected working life in excess of 10 years

Clarius EP Plus illuminators are supplied with an integrated power supply and operate directly from 100-254V AC. A 24V AC/DC version is also available.

The Clarius EP series is suitable for all low light installations up to 150 metres (492ft).



PRODUCT FEATURES

- Distances up to 150m (492ft)
- Latest SMT LED technology
- High Power - Low Running costs
- Various Angles (10° - 60°)
- Input- 100-254V AC - 50/60Hz
- Fully integrated power supply
- 24V AC/DC version available
- Optional Photocell
- 10 year life
- 5 Year Warranty
- Thermal management system
- Marine grade aluminium housing with Vandal proof Polycarbonate window
- Suitable for Zone 1 and Zone 2 hazardous environments
- Even Output illumination
- ATEX and IECEx approved
- Emergency Variants Available



5 YEAR WARRANTY

The Clarius EP PLUS Illuminators are provided with a 5 year warranty. Clarius illuminators provide guaranteed long life.

SECTORS



INDUSTRIAL



BORDERS



MILITARY BASES



PORTS



POWER PLANTS



HERITAGE



AIRPORTS



PRISONS

MODEL NUMBER	WAVELENGTH	ANGLE	DISTANCE		FOV	
IEP-810	850nm	10°	150m	492ft	26m	85ft
IEP-830	850nm	30°	80m	262ft	42m	137ft
IEP-860	850nm	60°	56m	184ft	64m	210ft
IEP-810-Photocell Version	850nm	10°	150m	492ft	26m	85ft
IEP-830-Photocell Version	850nm	30°	80m	262ft	42m	137ft
IEP-860-Photocell Version	850nm	60°	56m	184ft	64m	210ft

INSTALLATION

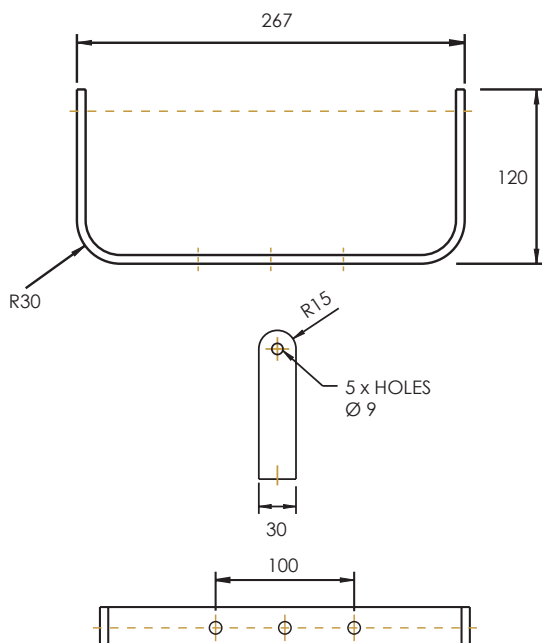
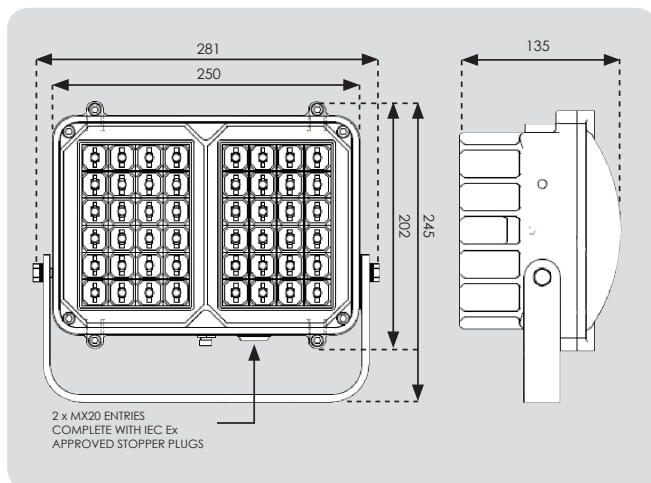
Terminals: Up to 4mm² terminals for live, neutral, earth and looping are provided. Internal and external earth as standard.

Cable Entries: 2 x M20, one fitted with approved stopper plug, other entries available on request

Suspension: Via stirrup bracket, other mounting accessories available. Stainless steel eyebolt for safety chain included as standard.

Installation: Installation document supplied.

TECHNICAL SPECIFICATIONS



GENERAL

Electronics

High Efficiency Surface Mount High Power LED's With Advanced Current Limited Integral Control Circuitry

Construction

Marine Grade Aluminium

Front Window

Polycarbonate (Vandal Proof)

Finish

Black Powder Coating

Photocell

Optional

Operating Temperature

-20° to +50°C (-4° to 122°F)

Weight

6kg (13.2lbs)

Mount

Powder Coated Stainless Steel Wall Mount

Dimensions

250 x 165 x 145mm (10" x 6.5" x 5.7") approx

Environment

1 & 2 Hazardous Environments

IP Rating

66/67

ELECTRICAL

Input Voltage

100-254V AC - 50/60Hz
Approx 0.3A @230V AC or
24V AC/DC version available @2.7A

Power Factor

0.95

Wavelength

850nm (Semi Covert). Faint Red Glow Only

Max Distance

Up to 150m (492ft)

Angle

10, 30 or 60 degrees

CERTIFICATIONS

IECEx Cert.
EX emb IIC T4 Gb
Ex † IIIC T103°C Db IP66/67
Tamb -20° C to +50°C

ATEX Cert
II 2 G D
EX emb IIC T4 Gb
Ex † IIIC T103°C Db IP66/67
Ta = -20°C to +50°C

Please note GJD reserve the right to change the information within this document, without notice. **DSEP+-31-08-15**

www.gjd.co.uk | info@gjd.co.uk | +44 (0) 1706 363 998

Unit 2 Birch Business Park, Whittle Lane, Greater Manchester, Lancashire, OL10 2SX

