



Autodialler Speech Dialler

The Autodialler makes use of a standard telephone line to call pre-programmed telephone numbers to warn of an intrusion. If an intruder is detected, the Autodialler automatically sends a call to any pre-programmed telephone number, providing a fast reliable warning and ensuring total peace of mind.

The Autodialler will connect to alarm control panels or can be used as a stand alone device, connected to a triggered relay output.

PRODUCT CODE

HYL004 Telephone Autodialler

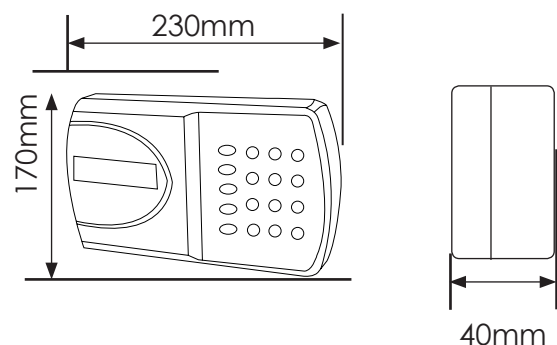
UNIQUE FEATURES

- LCD display
- Programmable 9 x 32 - digit phone numbers for each trigger
- Battery backed up built in memory for telephone numbers and programmed settings
- 12V DC external supply required
- Remote cancelling of next dialled number
- Two 10 second duration user recordable messages, one for each trigger

END USER BENEFITS

- Dual trigger design for separate alerts
- Easy to connect to alarm control panels
- Low maintenance
- Can be used as a stand alone communicator

DIMENSIONS



SECTORS



RESIDENTIAL



COMMERCIAL



INDUSTRIAL



BORDERS



MILITARY BASES



PORTS



POWER PLANTS



HERITAGE



AIRPORTS



PRISONS

Please note GJD reserve the right to change the information within this document, without notice.

www.gjd.co.uk | info@gjd.co.uk | +44 (0) 1706 363 998

Unit 2 Birch Business Park, Whittle Lane, Heywood, Greater Manchester, OL10 2SX, UK

DS004-10-05-15